

3-12-2013

## 129300 - Attachment G - Bicycle Rack (Steel Bars)

Sandra Hickey  
sandra.hickey@unh.edu

Follow this and additional works at: [http://scholars.unh.edu/pdch\\_5\\_12](http://scholars.unh.edu/pdch_5_12)

---

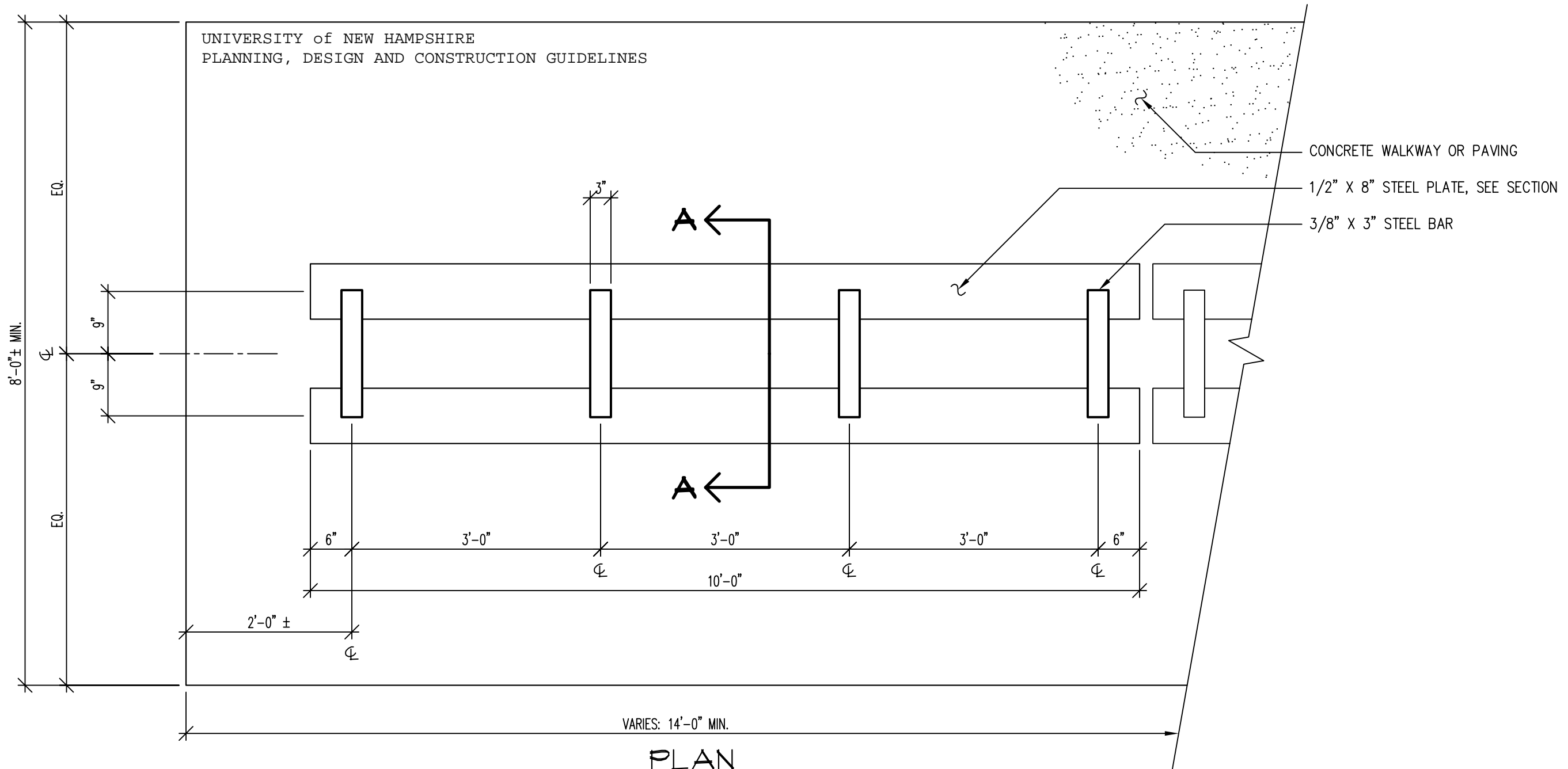
### Recommended Citation

Hickey, Sandra, "129300 - Attachment G - Bicycle Rack (Steel Bars)" (2013). *Division 12 – Furnishings*. 12.  
[http://scholars.unh.edu/pdch\\_5\\_12/12](http://scholars.unh.edu/pdch_5_12/12)

This Article is brought to you for free and open access by the Chapter 5 – Technical Construction and Renovation Standards at University of New Hampshire Scholars' Repository. It has been accepted for inclusion in Division 12 – Furnishings by an authorized administrator of University of New Hampshire Scholars' Repository. For more information, please contact [nicole.hentz@unh.edu](mailto:nicole.hentz@unh.edu).

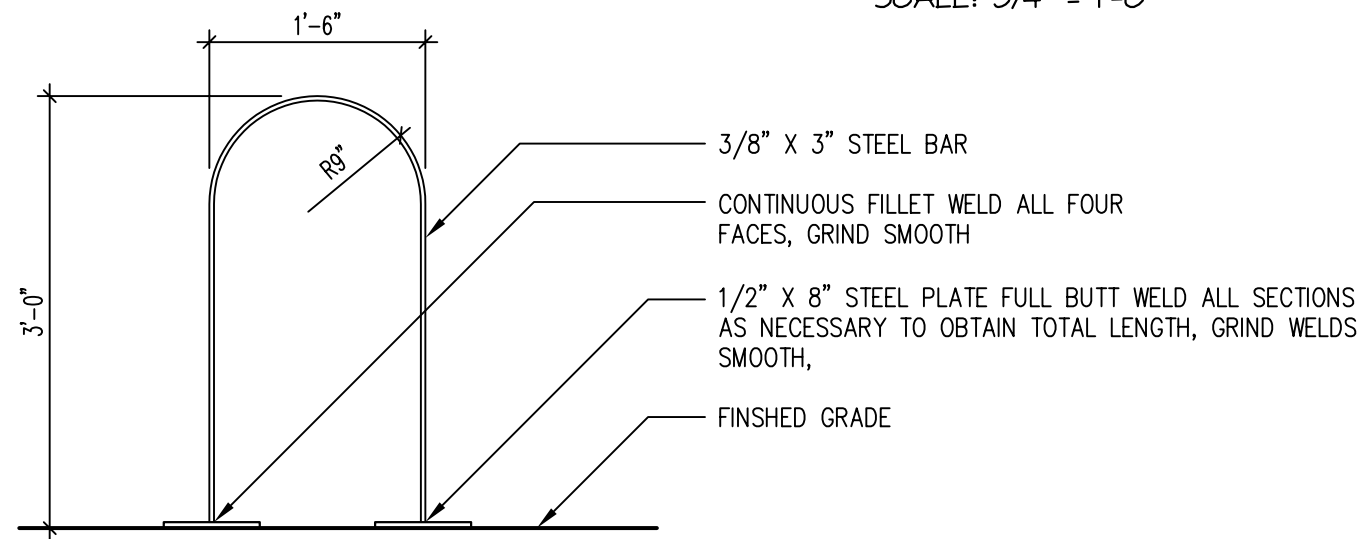
---

129300 - Attachment G - Bicycle Rack (Steel Bars)



**PLAN**

SCALE: 3/4" = 1'-0"



**SECTION A-A**

SCALE: 3/4" = 1'-0"

**NOTE: ALL STEEL AND WELDS  
 TO BE SHOP GALVANIZED.**



UNIVERSITY of  
 NEW HAMPSHIRE  
 DURHAM, NEW HAMPSHIRE

ISSUED FOR:  
**CONSTRUCTION**  
 BY  
 FACILITIES DESIGN & CONSTRUCTION

APPROVED BY: DATE:  
 Project Mgr.  
 Architect  
 Client  
 Fire Dept.  
 Safety

PROJECT NUMBER:  
 PROJECT NAME:  
**HOOP BIKE RACK  
 STANDARD**

DRAWING TITLE:  
**PLAN & DETAILS**

SCALE: 3/4" = 1'-0"

DRAWN BY: STH

CHECKED BY: SP

DATE:  
 FEB. 8, 2007

DRAWING NO.

**A-1**