

3-12-2013

## 129300 - Attachment B - Bench Type 2

Sandra Hickey  
sandra.hickey@unh.edu

Follow this and additional works at: [http://scholars.unh.edu/pdch\\_5\\_12](http://scholars.unh.edu/pdch_5_12)

---

### Recommended Citation

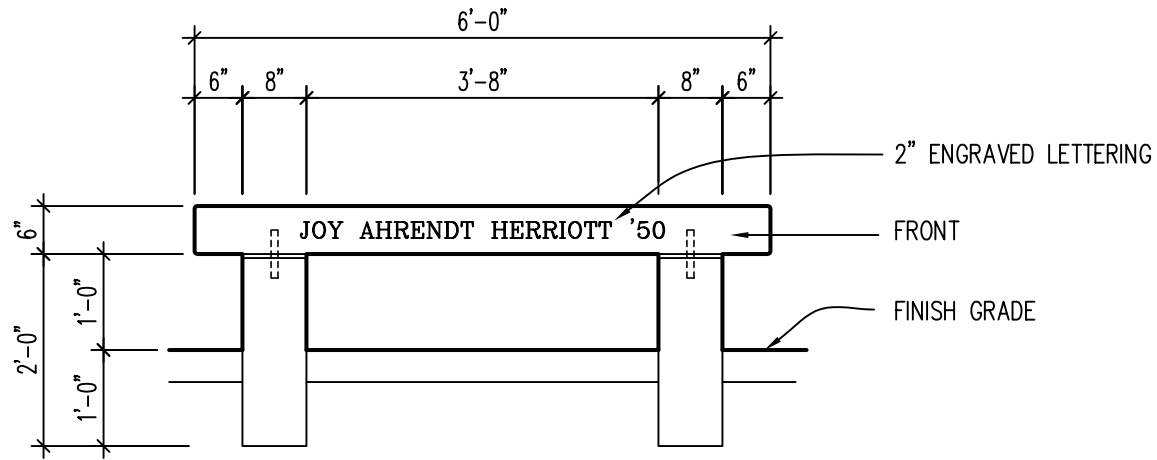
Hickey, Sandra, "129300 - Attachment B - Bench Type 2" (2013). *Division 12 – Furnishings*. 7.  
[http://scholars.unh.edu/pdch\\_5\\_12/7](http://scholars.unh.edu/pdch_5_12/7)

This Article is brought to you for free and open access by the Chapter 5 – Technical Construction and Renovation Standards at University of New Hampshire Scholars' Repository. It has been accepted for inclusion in Division 12 – Furnishings by an authorized administrator of University of New Hampshire Scholars' Repository. For more information, please contact [nicole.hentz@unh.edu](mailto:nicole.hentz@unh.edu).

---

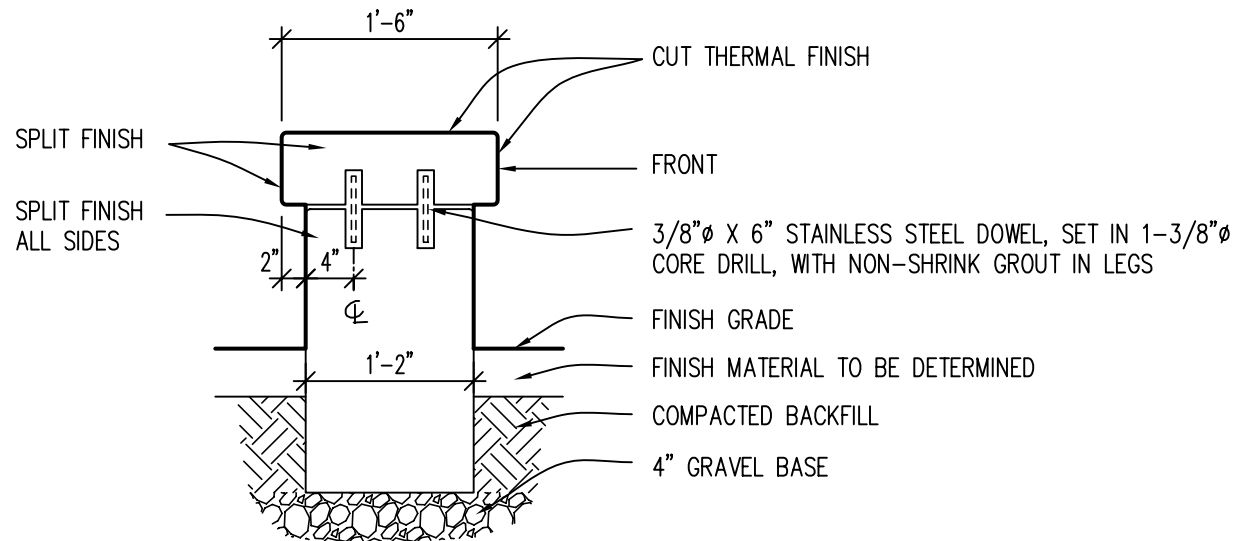
129300 - Attachment B - Bench Type 2

1. GRANITE TO BE CHELMSFORD, SWENSON OR APPROVED EQUAL
2. EASE ALL EXPOSED EDGES  
3/8" RADIUS
3. PROVIDE SHOP DRAWINGS
4. OWNER TO INSTALL BENCHES  
LEVEL AND SET ALL BENCHES IN  
A GROUP AT THE SAME  
ELEVATION.



## FRONT ELEVATION

SCALE: 1/2" = 1'-0"



## SECTION

SCALE: 3/4" = 1'-0"

**BENCH TYPE 2**  
 12 9300 Attachment B