

3-12-2013

129300 - Attachment A - Bench Type 1

Sandra Hickey
sandra.hickey@unh.edu

Follow this and additional works at: http://scholars.unh.edu/pdch_5_12

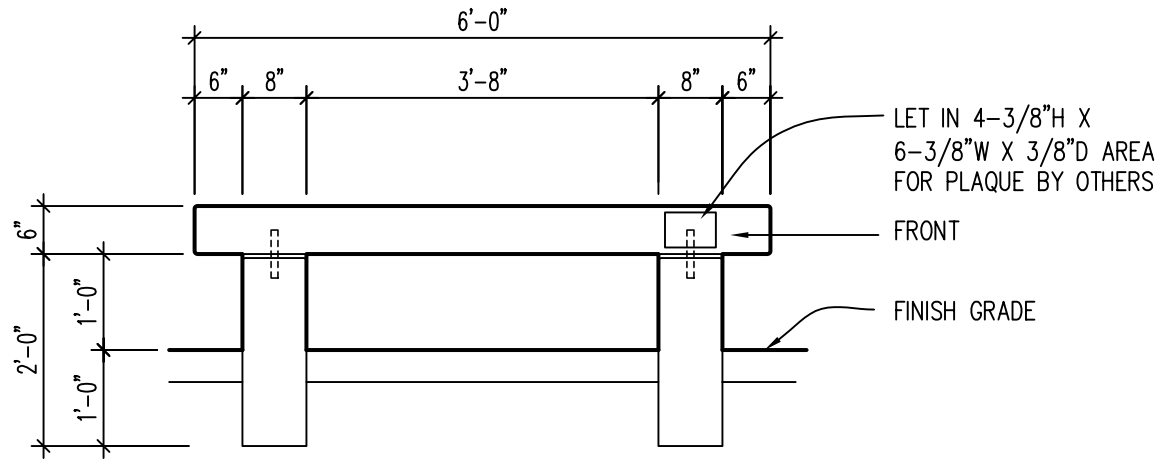
Recommended Citation

Hickey, Sandra, "129300 - Attachment A - Bench Type 1" (2013). *Division 12 – Furnishings*. 6.
http://scholars.unh.edu/pdch_5_12/6

This Article is brought to you for free and open access by the Chapter 5 – Technical Construction and Renovation Standards at University of New Hampshire Scholars' Repository. It has been accepted for inclusion in Division 12 – Furnishings by an authorized administrator of University of New Hampshire Scholars' Repository. For more information, please contact nicole.hentz@unh.edu.

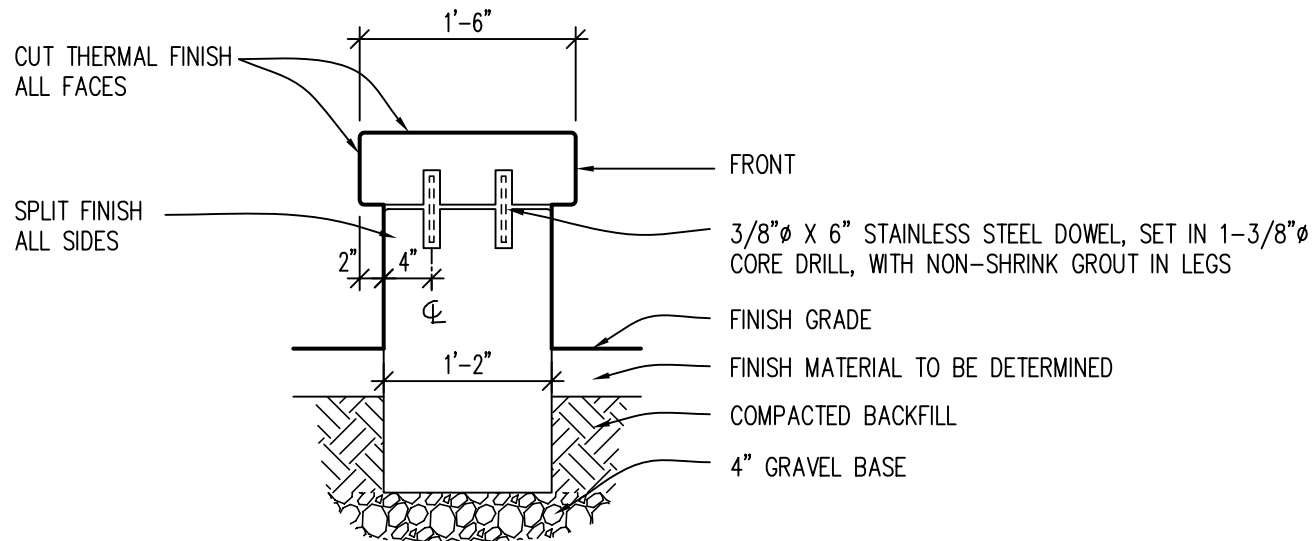
129300 - Attachment A - Bench Type 1

1. GRANITE TO BE CHELMSFORD, SWENSON OR APPROVED EQUAL
2. EASE ALL EXPOSED EDGES
3/8" RADIUS
3. PROVIDE SHOP DRAWINGS
4. OWNER TO INSTALL BENCHES
LEVEL AND SET ALL BENCHES IN
A GROUP AT THE SAME
ELEVATION.



FRONT ELEVATION

SCALE: 1/2" = 1'-0"



SECTION

SCALE: 3/4" = 1'-0"