

3D file name : PRODUCTION DRAWINGS.3d Customer:  
 3D output date: 02-02-2021 - 20:31:39 Project number:  
 Date: 02-03-2021  
 Customer:  
 Project name:  
 Customer:  
 Project number:

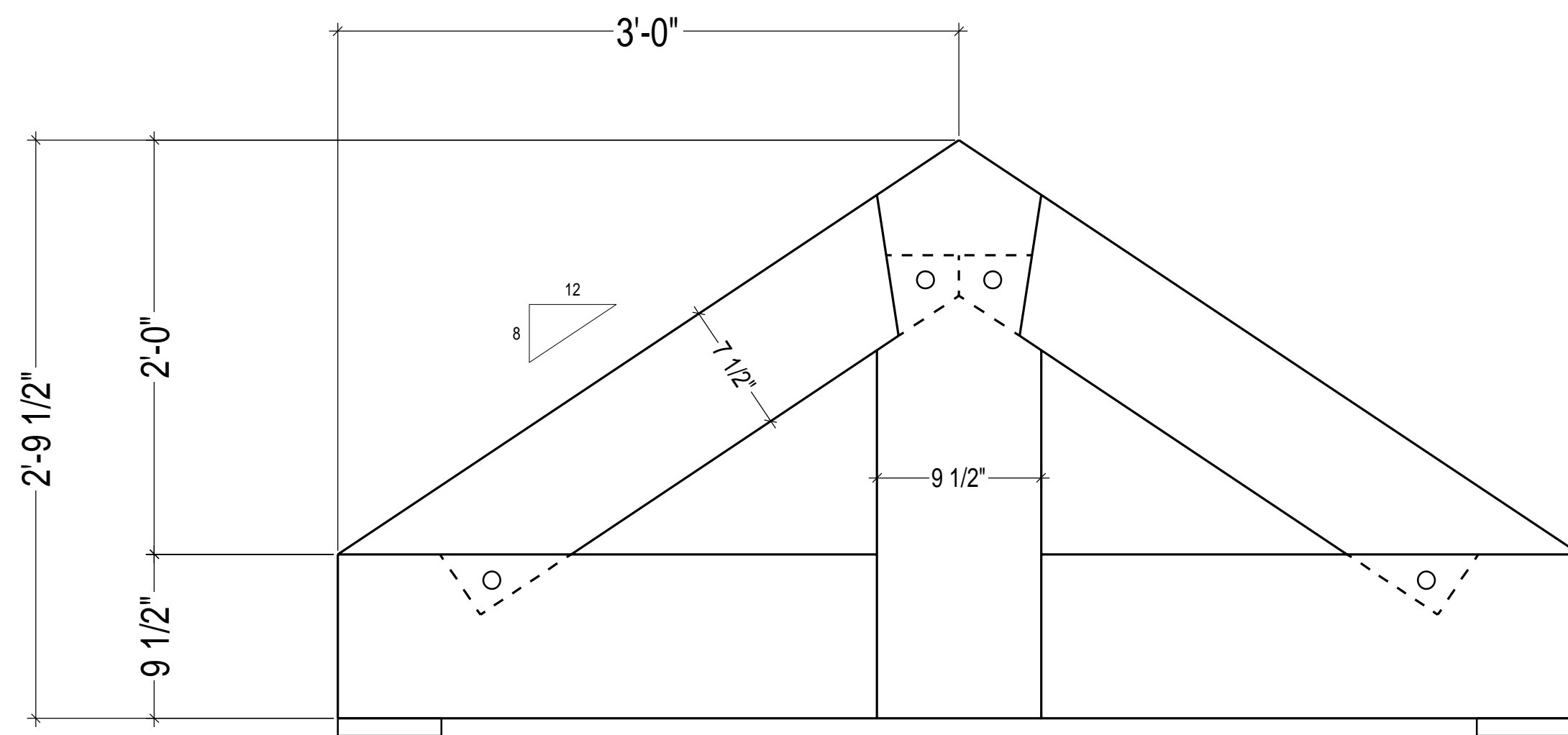
3D file name : 2021-02-04 McGinnis Research Project 3d.3d Customer:  
 3D output date: 02-10-2021 - 13:13:25 Project number:  
 Date: 02-10-2021  
 Customer:  
 Project name:  
 Customer:  
 Project number:

**General Notes:**  
 Timbers to be Douglas Fir #1 S4S  
 Pegs to be 1" White Oak  
 All edges to have NO chamfer  
 Timber to have NO finish  
 All Bolts to be 1" zinc coated Grade A307.  
 All Steel to be A36 and have NO finish  
 Timber is a natural product. Checking is normal and to be expected.

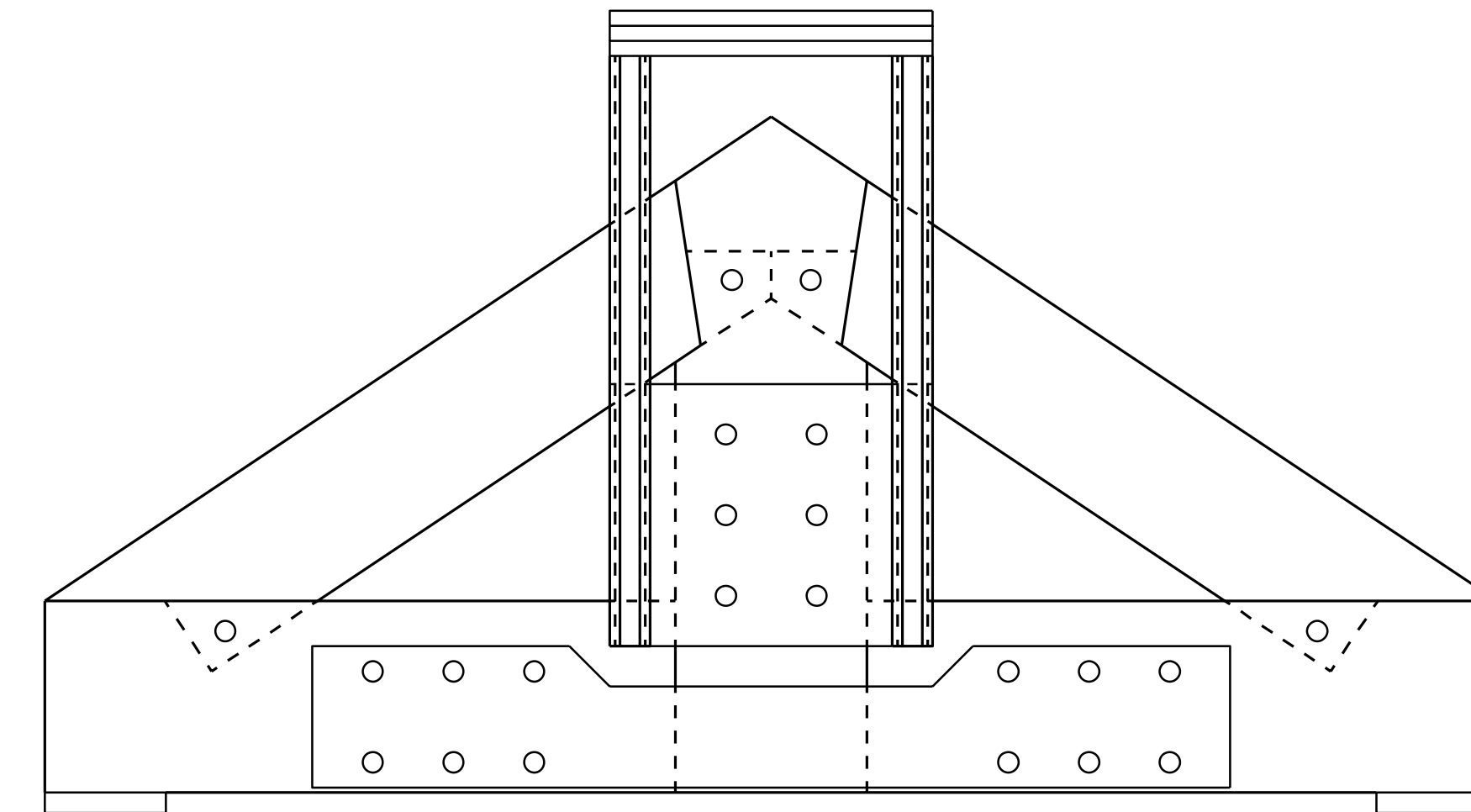
| No. PL | Name         | Material    | Quantity | List width inch | List height inch | Real Length inch | Total weight Lb |
|--------|--------------|-------------|----------|-----------------|------------------|------------------|-----------------|
| 100    | Top Chord    | Douglas fir | 2        | 6"              | 8"               | 3'-1 9/16"       | 48.224          |
| 101    | Top Chord    | Douglas fir | 4        | 6"              | 8"               | 3'-1 9/16"       | 96.551          |
| 102    | Top Chord    | Douglas fir | 2        | 6"              | 8"               | 3'-1 9/16"       | 47.811          |
| 103    | Top Chord    | Douglas fir | 2        | 6"              | 8"               | 3'-3 9/16"       | 50.015          |
| 104    | Top Chord    | Douglas fir | 2        | 6"              | 8"               | 3'-3 9/16"       | 49.964          |
| 105    | Top Chord    | Douglas fir | 6        | 6"              | 8"               | 3'-3 9/16"       | 148.649         |
| 106    | Top Chord    | Douglas fir | 4        | 6"              | 8"               | 3'-7 1/4"        | 103.474         |
| 107    | Top Chord    | Douglas fir | 2        | 6"              | 8"               | 3'-7 1/4"        | 51.788          |
| 108    | Top Chord    | Douglas fir | 2        | 6"              | 8"               | 3'-7 1/4"        | 51.323          |
| 109    | Bottom Chord | Douglas fir | 10       | 6"              | 10"              | 2'-7 1/8"        | 306.127         |
| 110    | Bottom Chord | Douglas fir | 8        | 6"              | 10"              | 2'-7 1/8"        | 243.245         |
| 111    | Bottom Chord | Douglas fir | 8        | 6"              | 10"              | 2'-7 1/8"        | 243.042         |
| 112    | Kingpost     | Douglas fir | 5        | 6"              | 10"              | 2'-9 1/2"        | 148.033         |
| 113    | Kingpost     | Douglas fir | 4        | 6"              | 10"              | 2'-9 1/2"        | 111.332         |
| 114    | Kingpost     | Douglas fir | 4        | 6"              | 10"              | 2'-9 1/2"        | 125.384         |

| No. PL | Name    | Material           | Quantity | Real width inch | Real height inch | Real Length inch | Total weight Lb |
|--------|---------|--------------------|----------|-----------------|------------------|------------------|-----------------|
| 1      | Lag Hog | Steel              | 8        | 1/4"            | 1/4"             | 9"               | 1.002           |
| 2      | Lag Hog | Steel              | 10       | 1/4"            | 1/4"             | 11"              | 1.531           |
| 3      | Peg     | Oak                | 46       | 1"              | 1"               | 5 1/2"           | 5.408           |
| 4      | BoLL    | Steel              | 18       | 1"              | 1"               | 9"               | 36.091          |
| 5      | Post    | Steel / HSS2X2X1/4 | 4        | 2"              | 2"               | 2'-5 1/4"        | 52.737          |
| 6      | Plate   | Steel              | 2        | 2"              | 3/4"             | 3'-9 1/2"        | 120.201         |
| 7      | Plate   | Steel              | 2        | 1'-4"           | 3/4"             | 1'-1"            | 88.502          |
| 8      | Plate   | Steel              | 3        | 1'-4 1/2"       | 3/4"             | 1'               | 126.371         |

**S4S Timbers**  
 S4S Timbers (surfaced four sides) are 1/2" under the sizes listed on these prints. A timber listed as 6x12 will measure 7 1/2"x11 1/2"



Sample Truss Configuration



Sample Truss Configuration With Steel Crib

Project: McGinnis Research Project

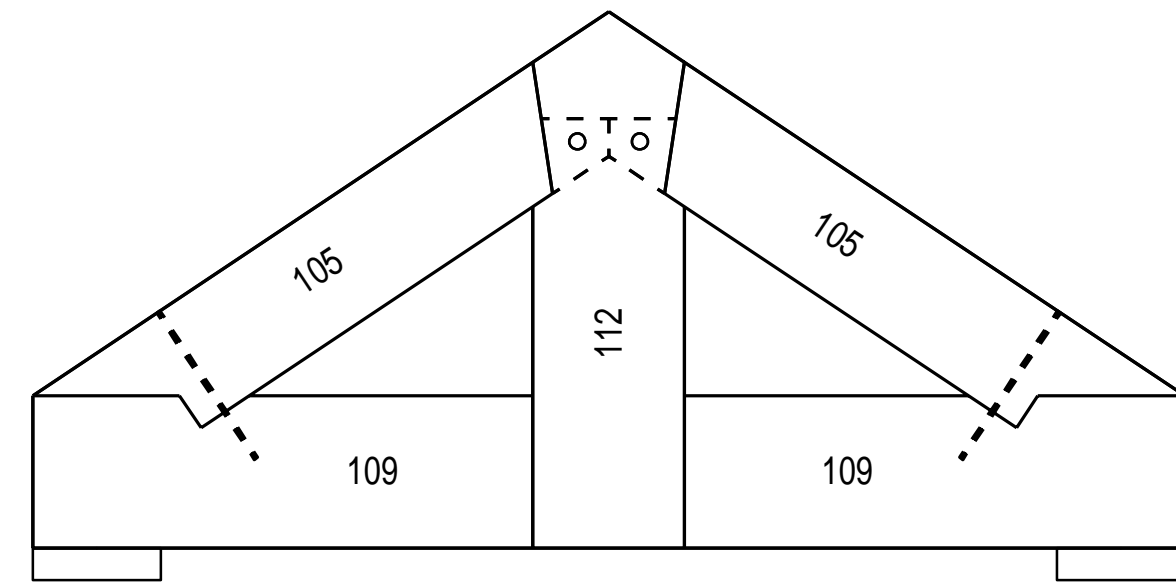
Drawn By: MJM  
 Checked By:  
 Date: 02-04-21  
 Plot Date: 12-08-22

| REVISIONS | BY | CHECKED BY |
|-----------|----|------------|
| xx/xx/xx  | XX | XX         |
|           |    |            |
|           |    |            |
|           |    |            |
|           |    |            |
|           |    |            |
|           |    |            |
|           |    |            |
|           |    |            |
|           |    |            |

SHEET  
**B-2**

## TRUSS PEAK STYLE: A

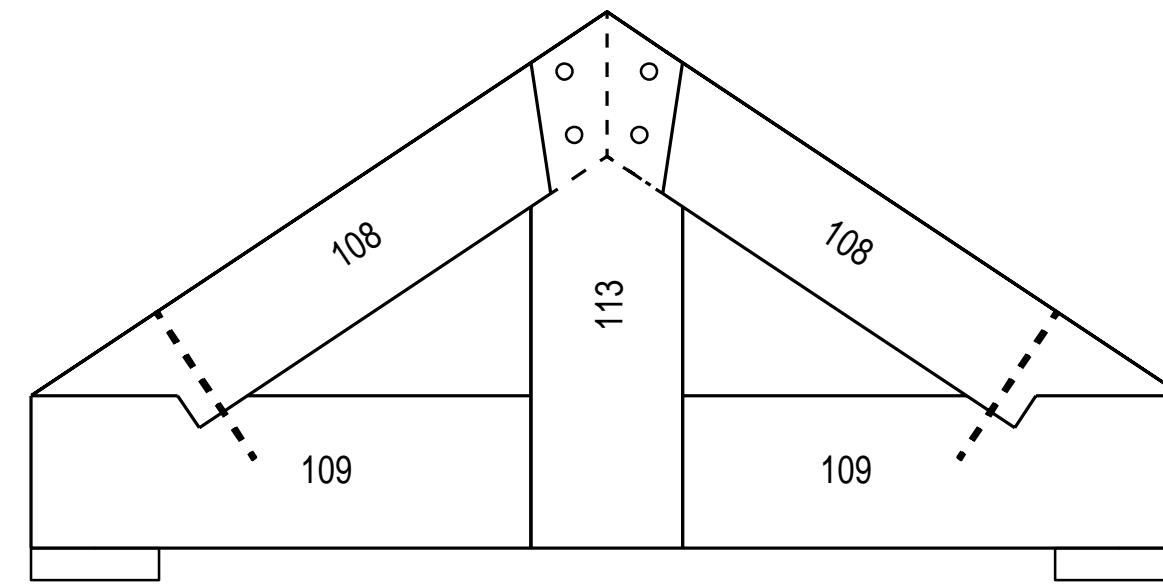
- CONTINUOUSLY SLOPING SHOULDER
- TENON BEARING FACE PERPENDICULAR TO KING POST
- TOP CHORDS JOINED TO KING POST WITH (1) 1" PEG PER SIDE



A1: QTY (3)

## TRUSS PEAK STYLE: B

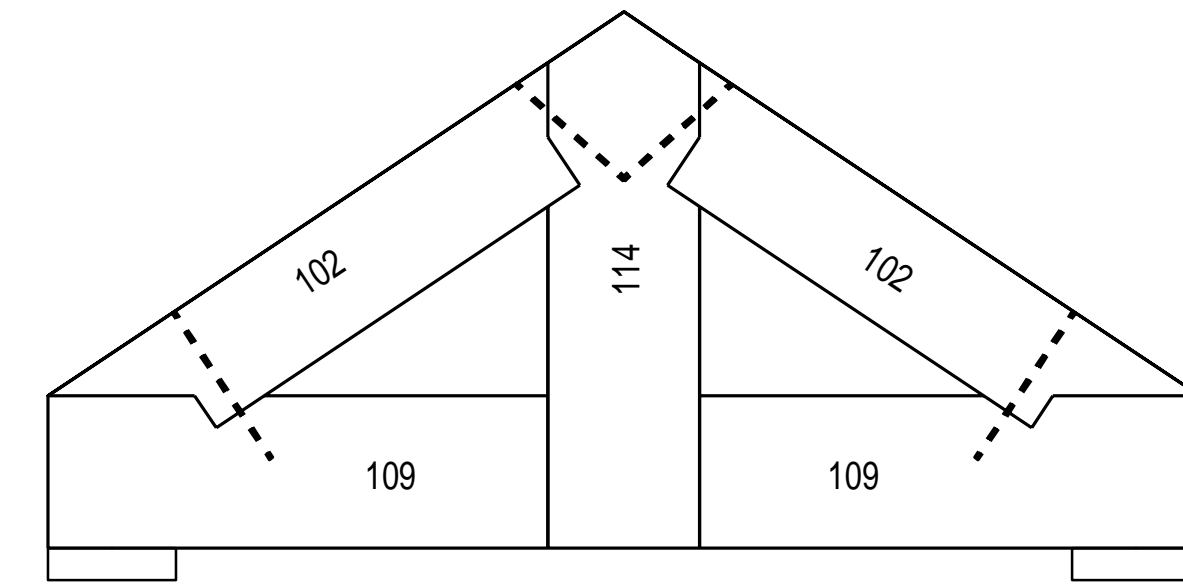
- CONTINUOUSLY SLOPING SHOULDER
- TENON CUT AT FULL HEIGHT OF MORTISE
- TOP CHORDS JOINED TO KING POST WITH (2) 1" PEGS (PER SIDE)



B1: QTY (1)

## TRUSS PEAK STYLE: C

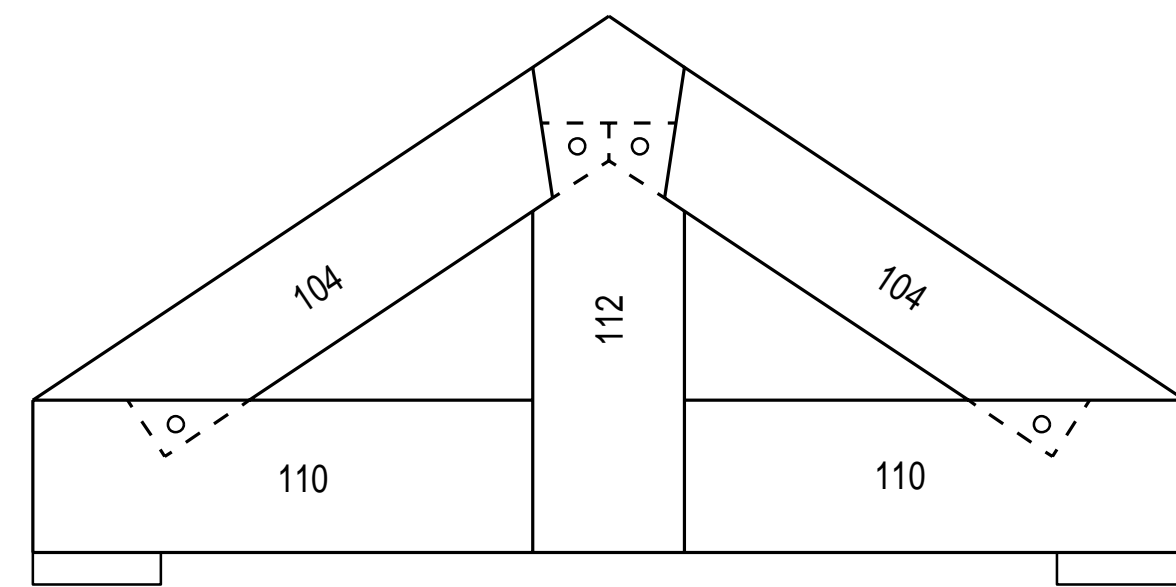
- BIRDSMOUTH SHOULDER
- NO TENON
- TOP CHORDS JOINED TO KING POST WITH (1) 1/4" LOG HOG TIMBER SCREW PER SIDE



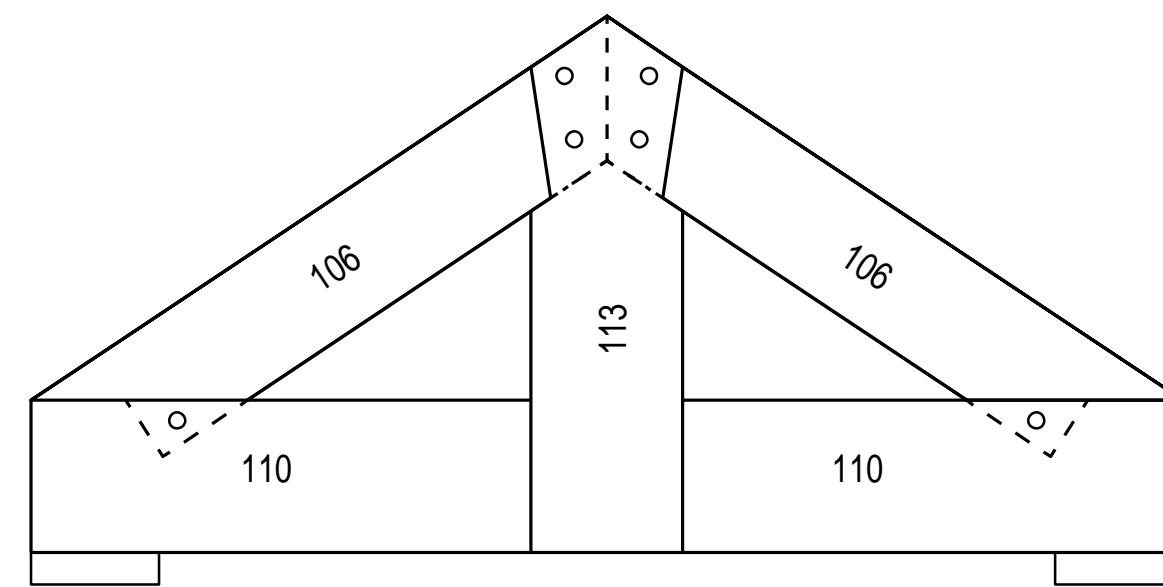
C1: QTY (1)

## TRUSS HEEL STYLE: 1

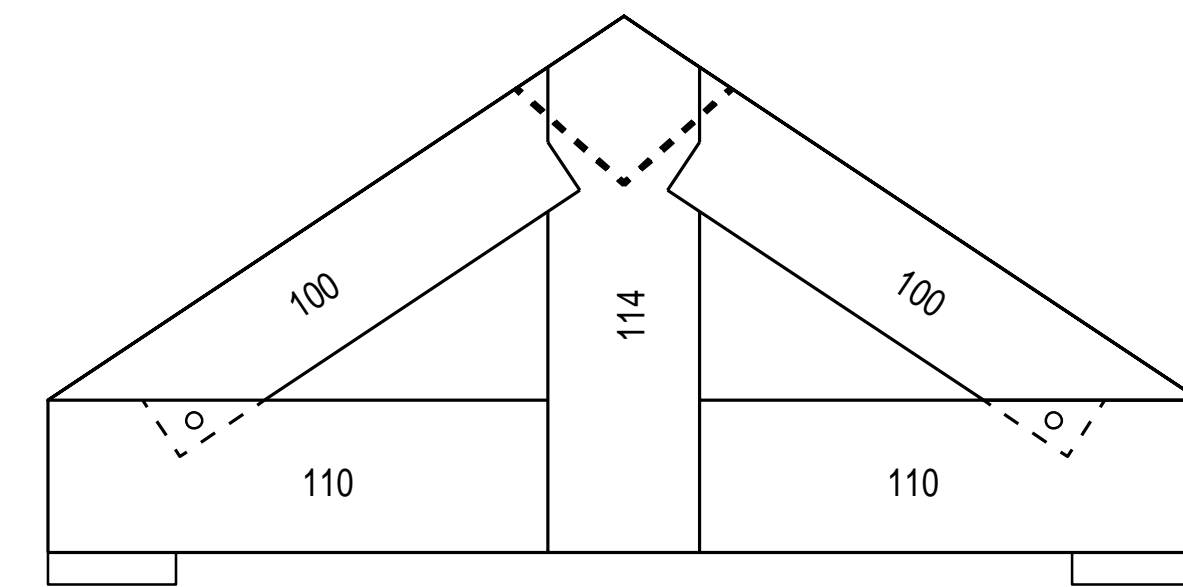
- BIRDSMOUTH SHOULDER
- NO TENON
- TOP CHORD CONNECTED TO BOTTOM CHORD WITH (1) 1/4" LOG HOG TIMBER SCREW



A2: QTY (1)



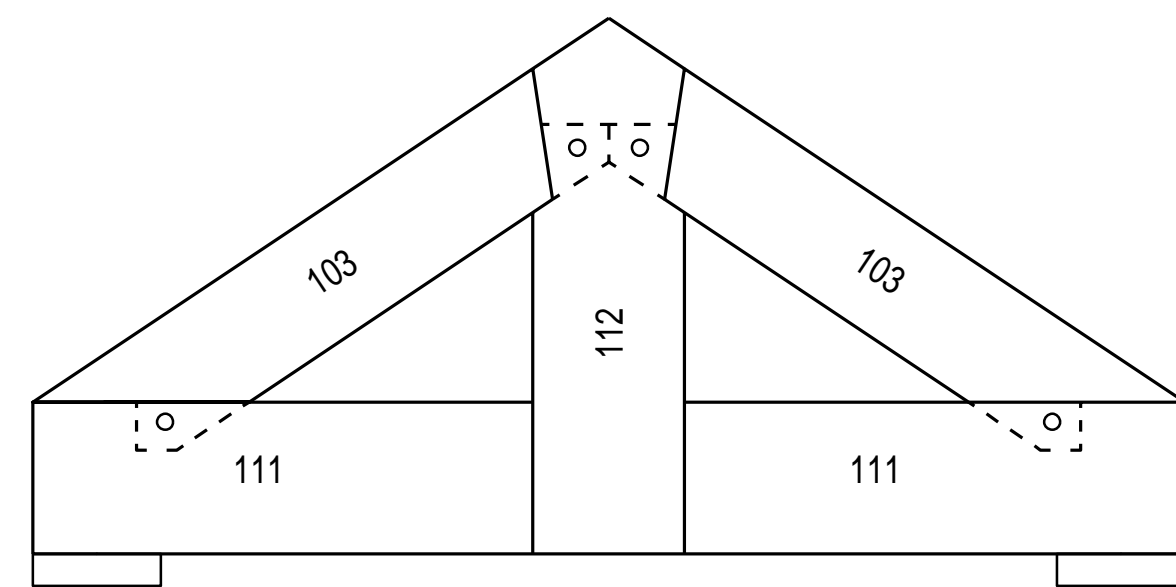
B2: QTY (2)



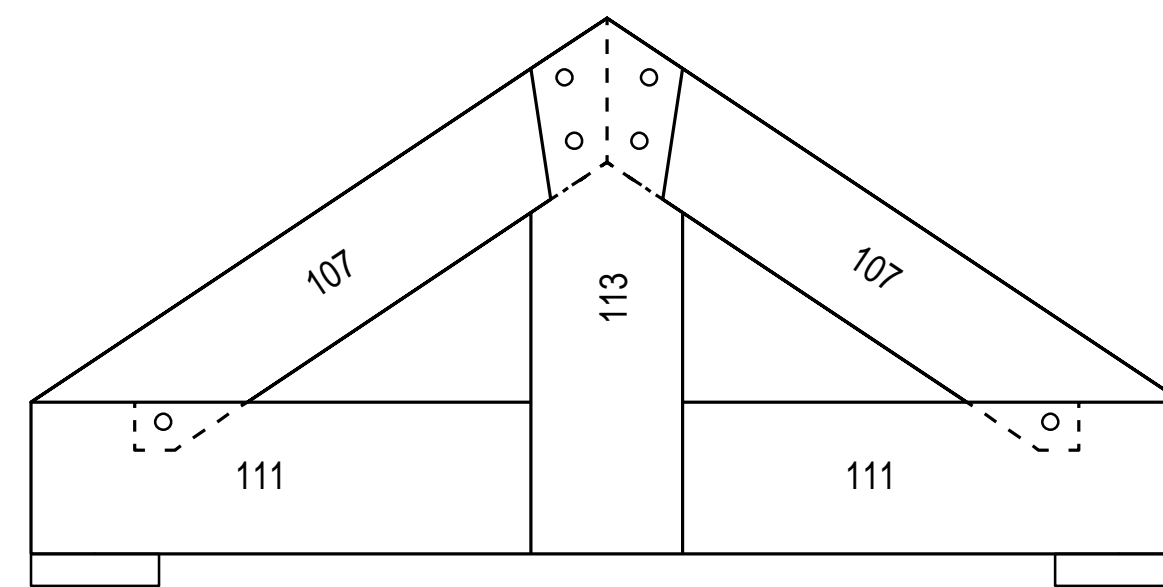
C2: QTY (1)

## TRUSS HEEL STYLE: 2

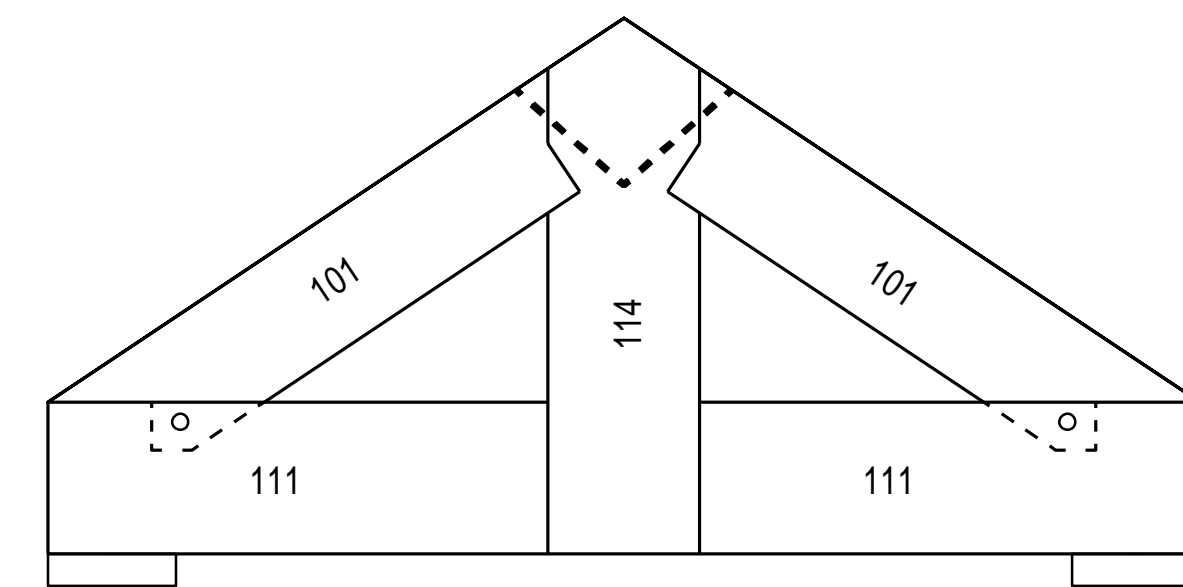
- NO SHOULDER
- TENON BEARING SURFACE PERPENDICULAR TO TOP CHORD
- TOP CHORD CONNECTED TO BOTTOM CHORD WITH (1) 1" PEG



A3: QTY (1)



B3: QTY (1)



C3: QTY (2)

## TRUSS HEEL STYLE: 3

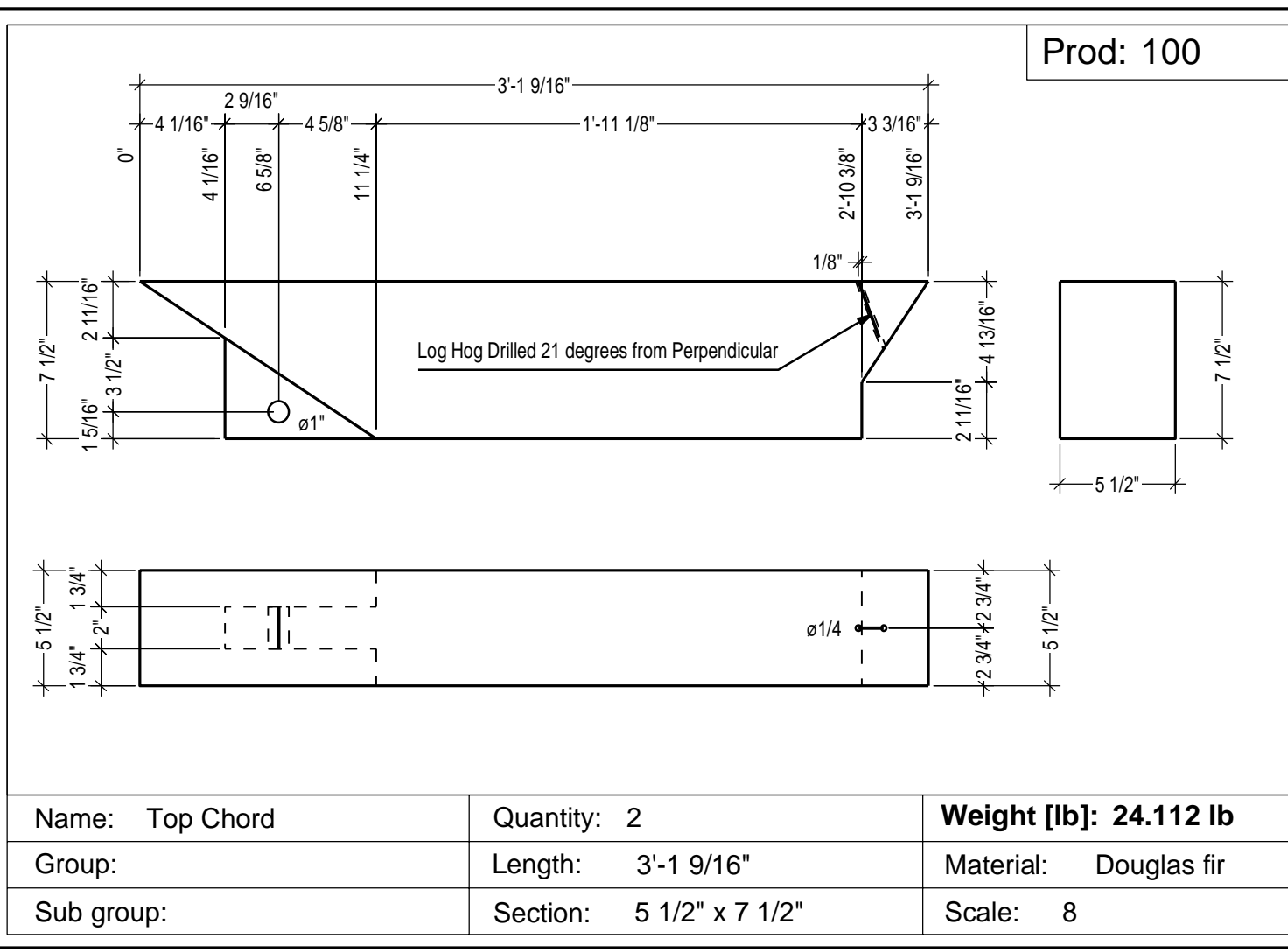
- NO SHOULDER
- TENON BEARING SURFACE PERPENDICULAR TO BOTTOM CHORD
- TOP CHORD CONNECTED TO BOTTOM CHORD WITH (1) 1" PEG

Project: McGinnis Research Project

Drawn By: MJM  
Checked By:  
Date: 02-04-21  
Plot Date: 12-08-22

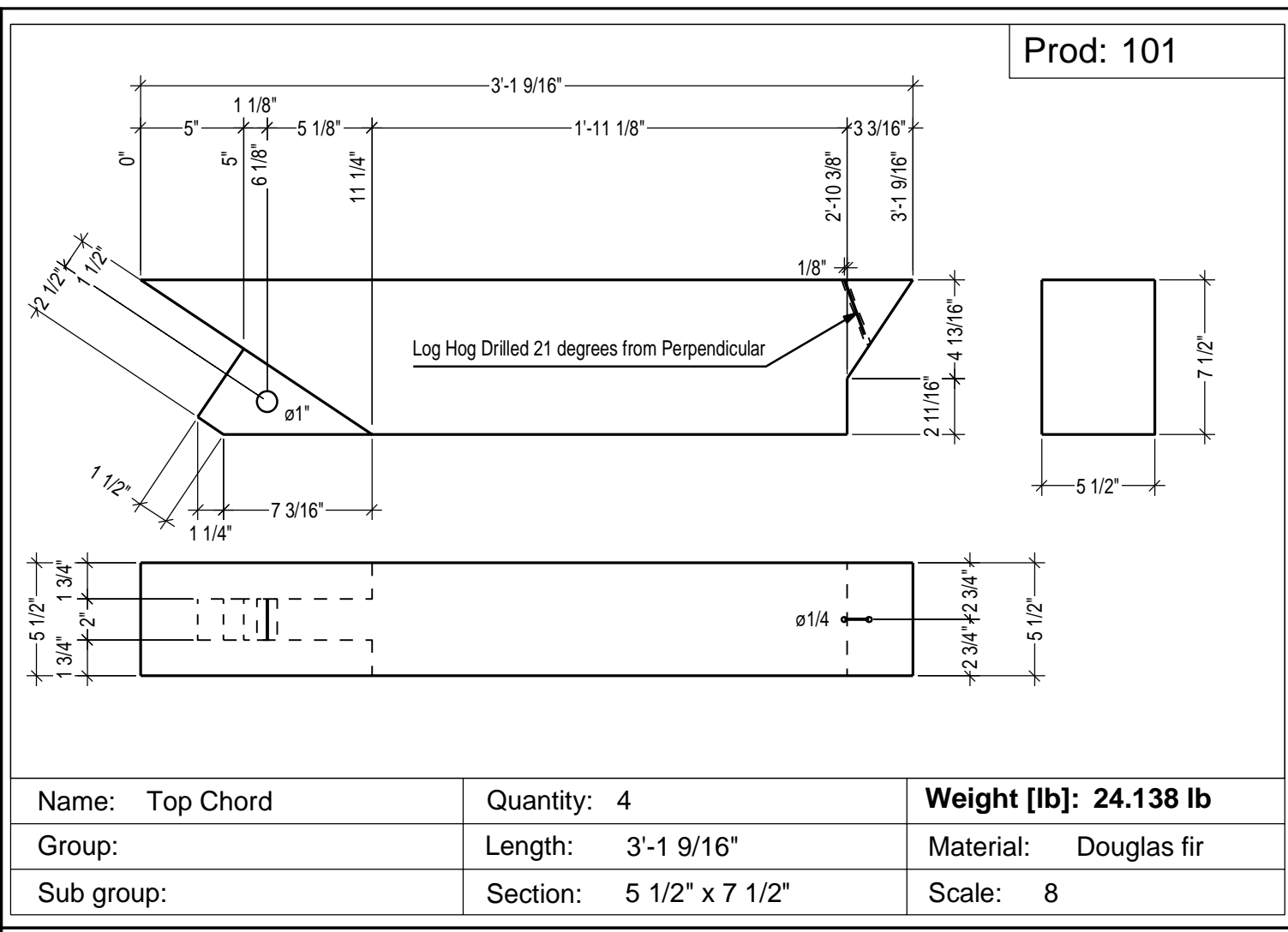
| REVISIONS | BY | CHECKED BY |
|-----------|----|------------|
| xx/xx/xx  | XX | XX         |
|           |    |            |
|           |    |            |
|           |    |            |
|           |    |            |

SHEET  
**B-3**



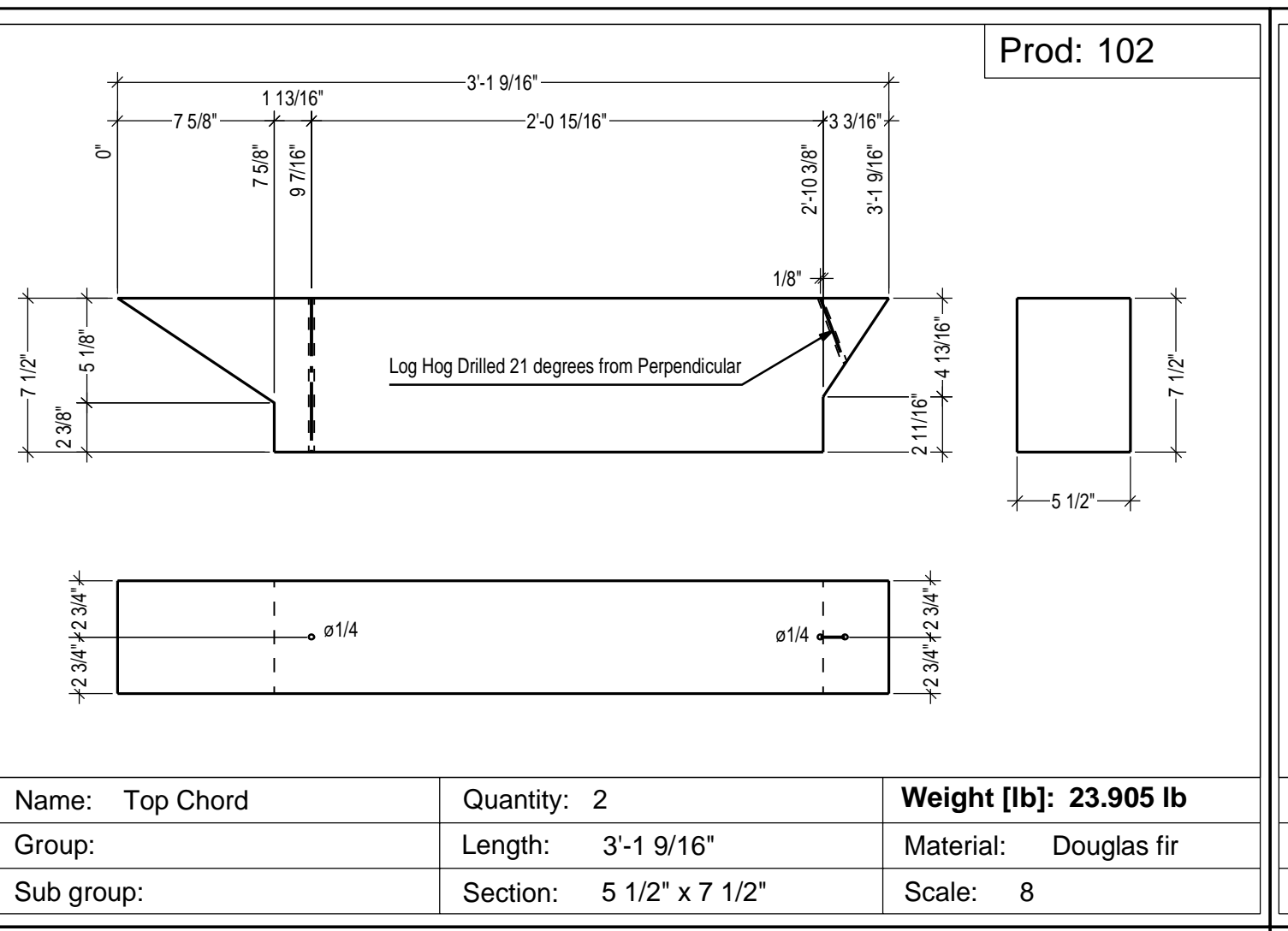
Prod: 100

|            |           |           |                 |              |             |
|------------|-----------|-----------|-----------------|--------------|-------------|
| Name:      | Top Chord | Quantity: | 2               | Weight [lb]: | 24.112 lb   |
| Group:     |           | Length:   | 3'-1 9/16"      | Material:    | Douglas fir |
| Sub group: |           | Section:  | 5 1/2" x 7 1/2" | Scale:       | 8           |



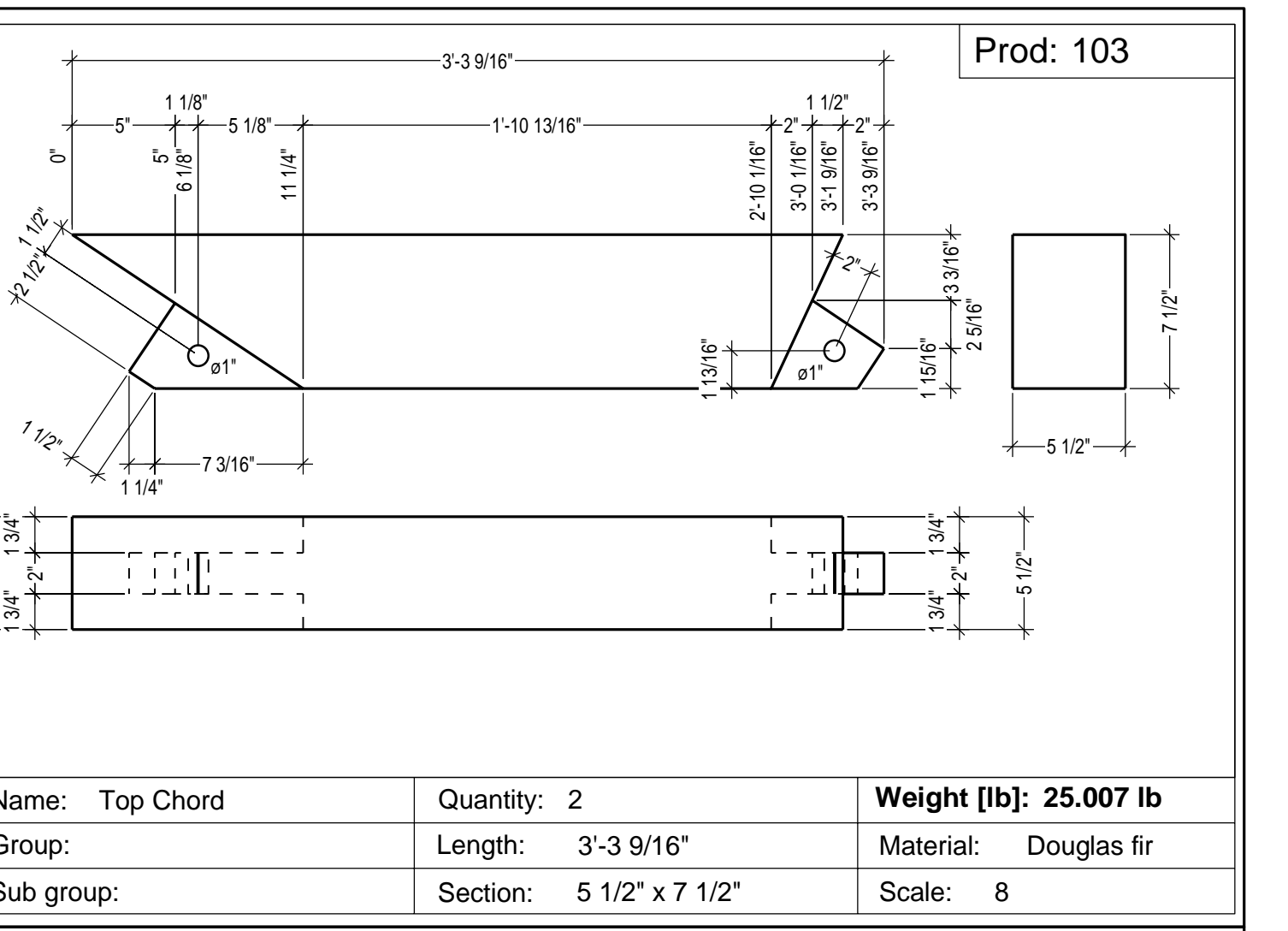
Prod: 101

|            |           |           |                 |              |             |
|------------|-----------|-----------|-----------------|--------------|-------------|
| Name:      | Top Chord | Quantity: | 4               | Weight [lb]: | 24.138 lb   |
| Group:     |           | Length:   | 3'-1 9/16"      | Material:    | Douglas fir |
| Sub group: |           | Section:  | 5 1/2" x 7 1/2" | Scale:       | 8           |



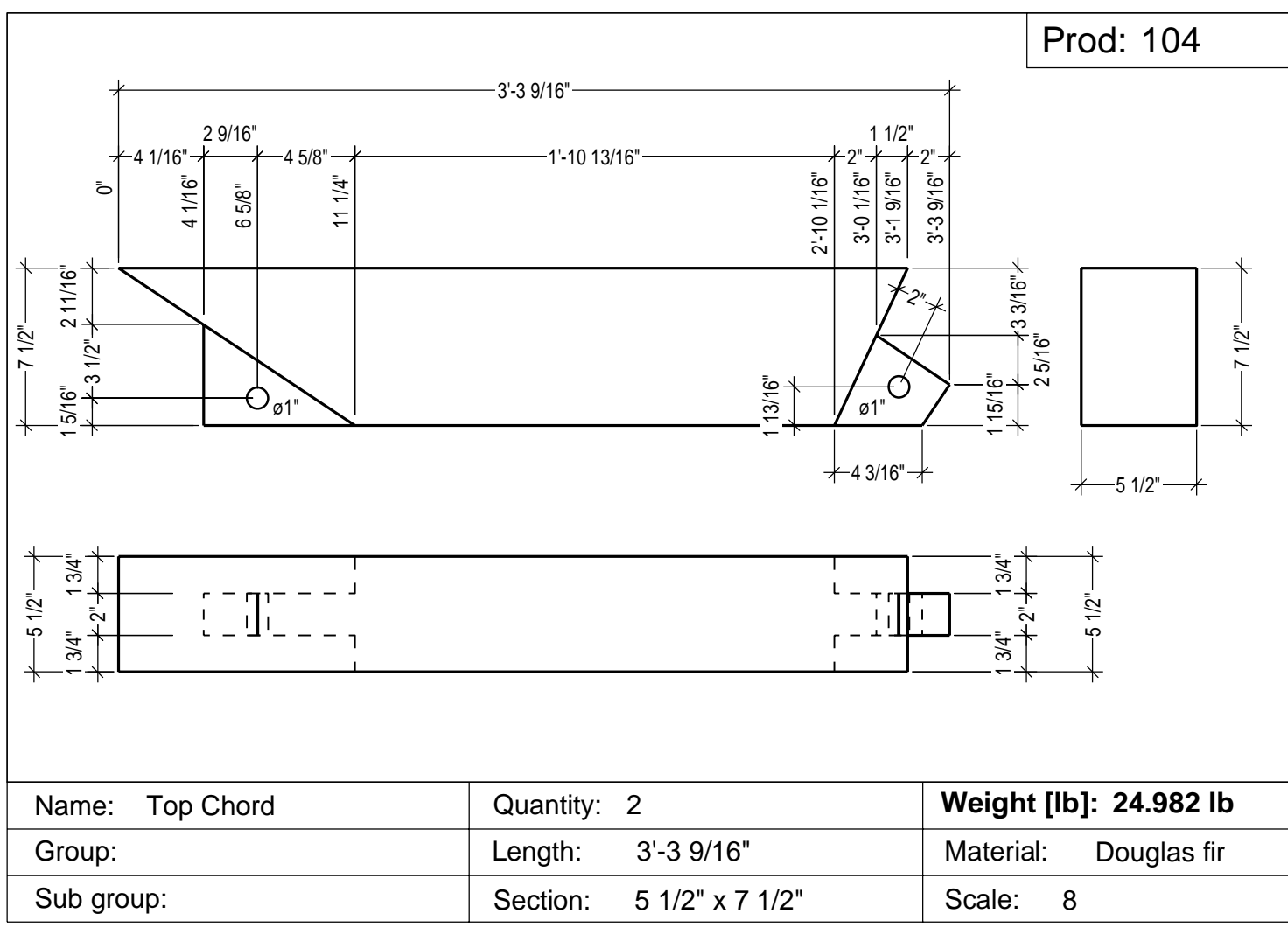
Prod: 102

|            |           |           |                 |              |             |
|------------|-----------|-----------|-----------------|--------------|-------------|
| Name:      | Top Chord | Quantity: | 2               | Weight [lb]: | 23.905 lb   |
| Group:     |           | Length:   | 3'-1 9/16"      | Material:    | Douglas fir |
| Sub group: |           | Section:  | 5 1/2" x 7 1/2" | Scale:       | 8           |



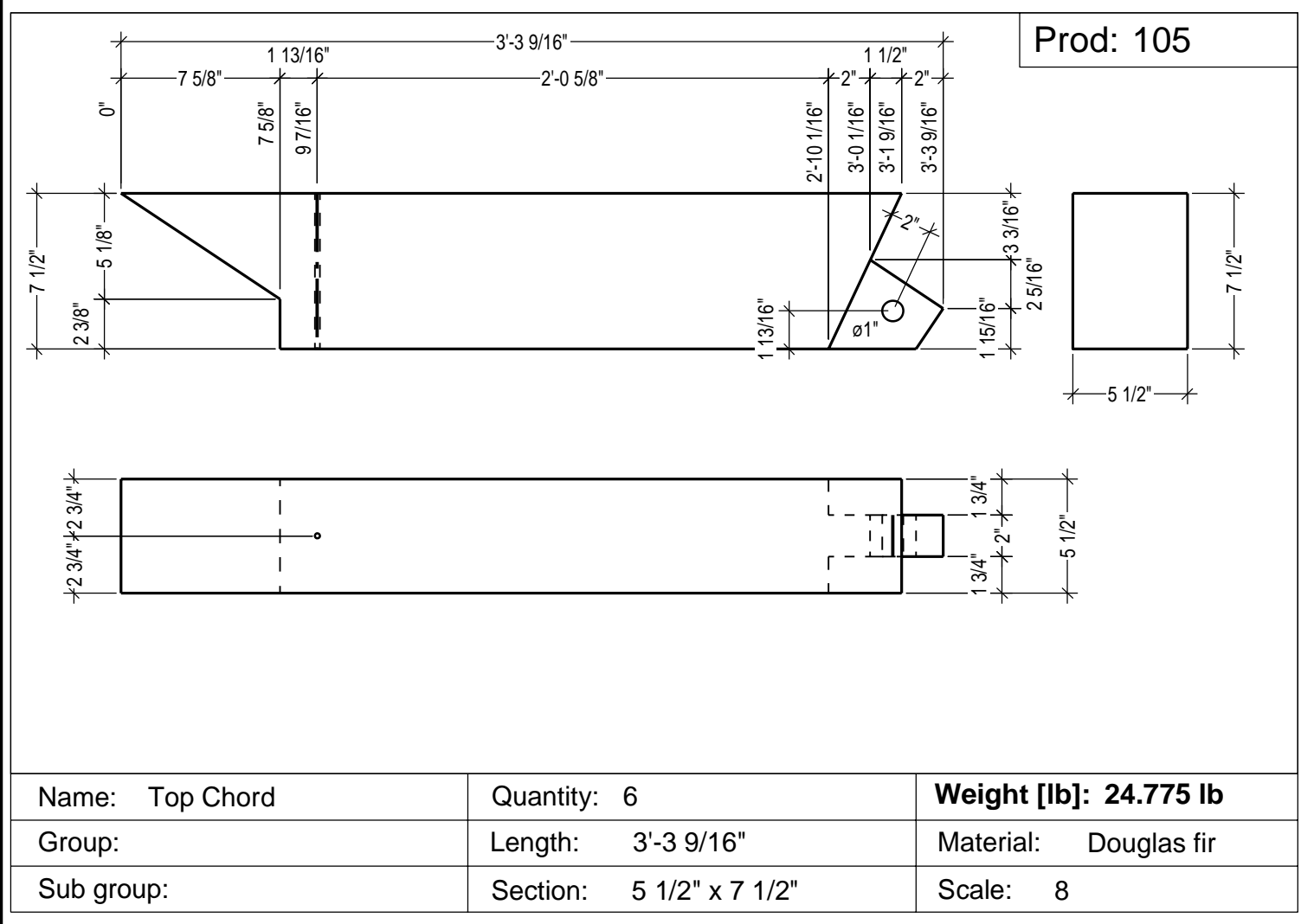
Prod: 103

|            |           |           |                 |              |             |
|------------|-----------|-----------|-----------------|--------------|-------------|
| Name:      | Top Chord | Quantity: | 2               | Weight [lb]: | 25.007 lb   |
| Group:     |           | Length:   | 3'-3 9/16"      | Material:    | Douglas fir |
| Sub group: |           | Section:  | 5 1/2" x 7 1/2" | Scale:       | 8           |



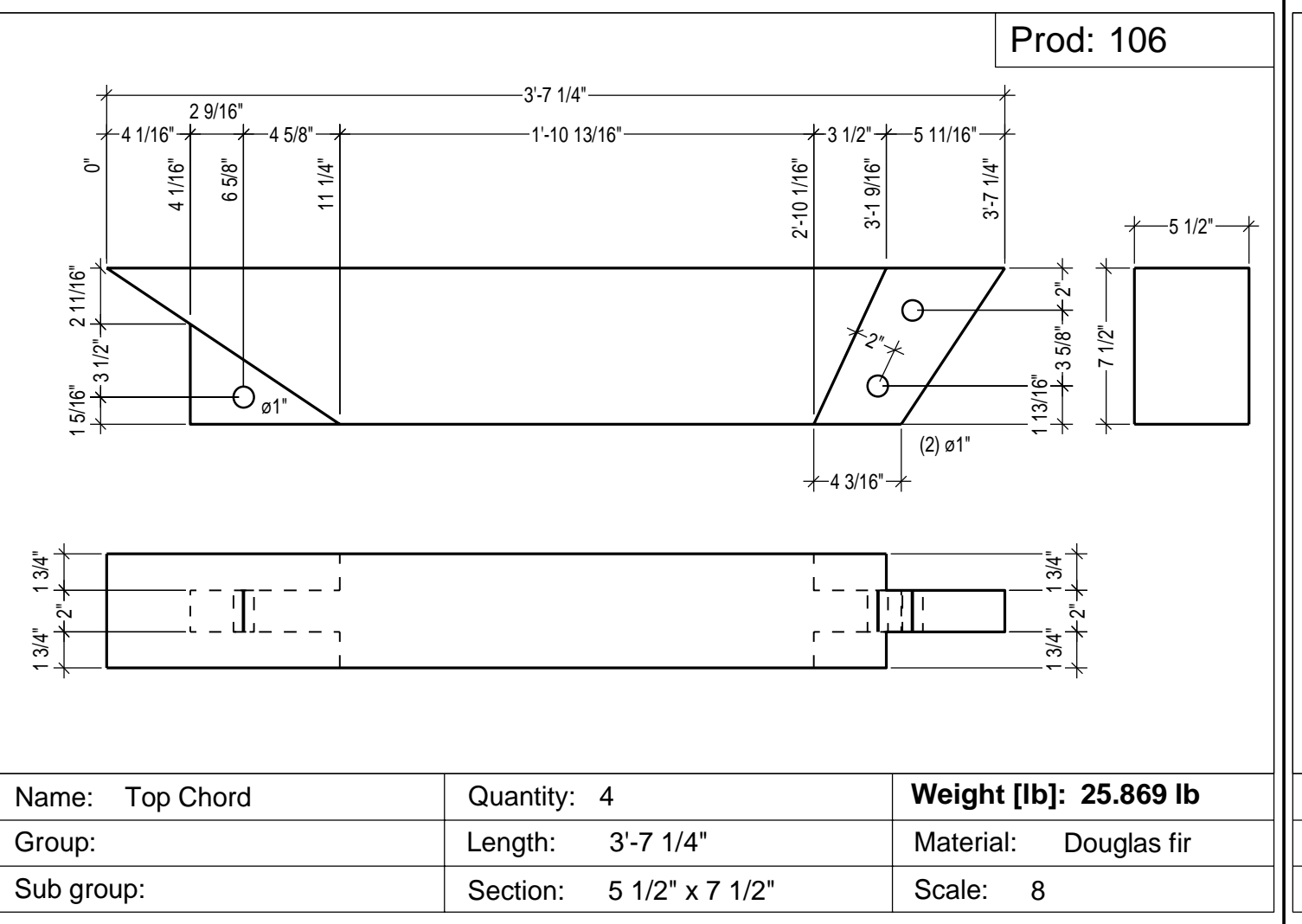
Prod: 104

|            |           |           |                 |              |             |
|------------|-----------|-----------|-----------------|--------------|-------------|
| Name:      | Top Chord | Quantity: | 2               | Weight [lb]: | 24.982 lb   |
| Group:     |           | Length:   | 3'-3 9/16"      | Material:    | Douglas fir |
| Sub group: |           | Section:  | 5 1/2" x 7 1/2" | Scale:       | 8           |



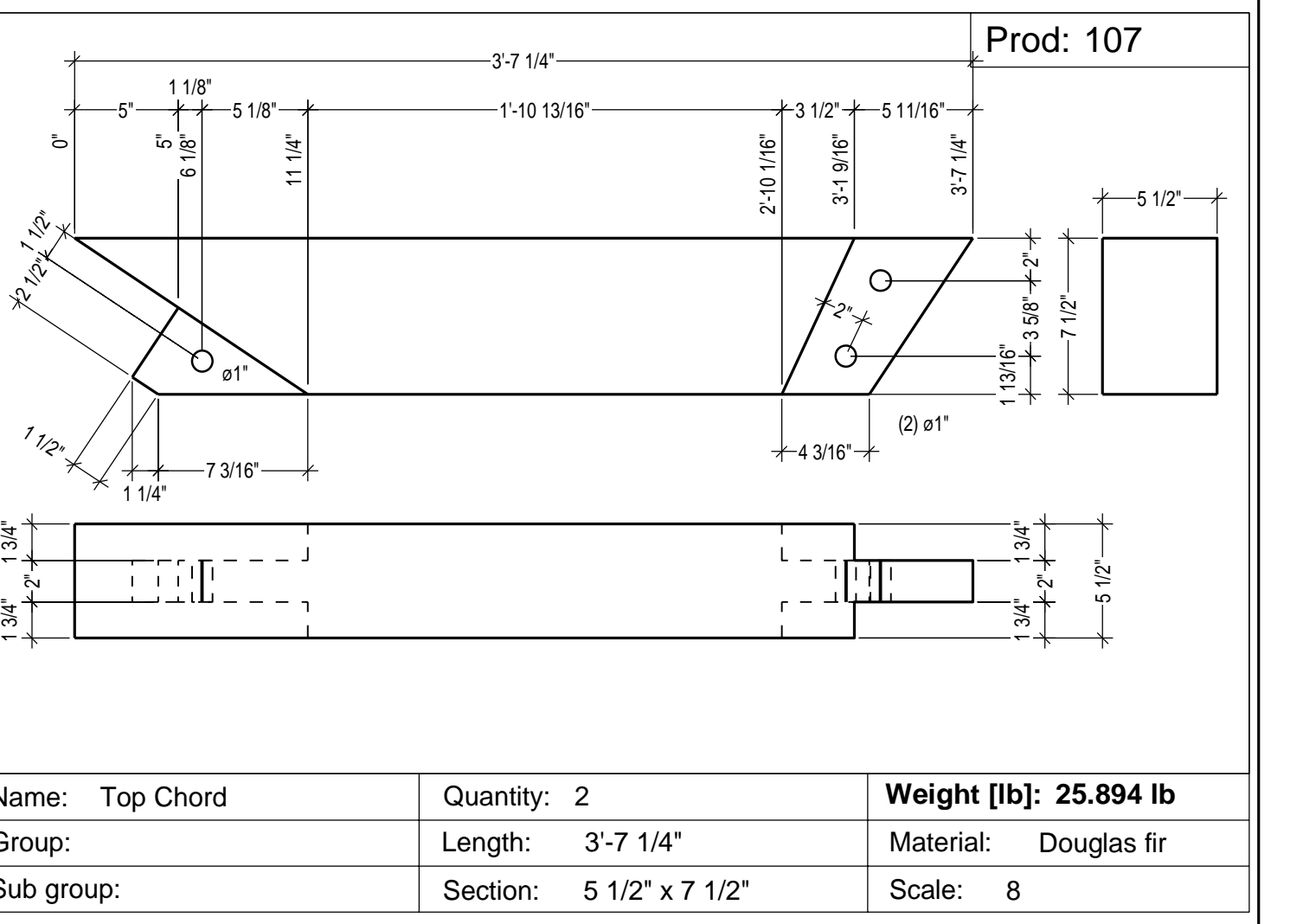
Prod: 105

|            |           |           |                 |              |             |
|------------|-----------|-----------|-----------------|--------------|-------------|
| Name:      | Top Chord | Quantity: | 6               | Weight [lb]: | 24.775 lb   |
| Group:     |           | Length:   | 3'-3 9/16"      | Material:    | Douglas fir |
| Sub group: |           | Section:  | 5 1/2" x 7 1/2" | Scale:       | 8           |



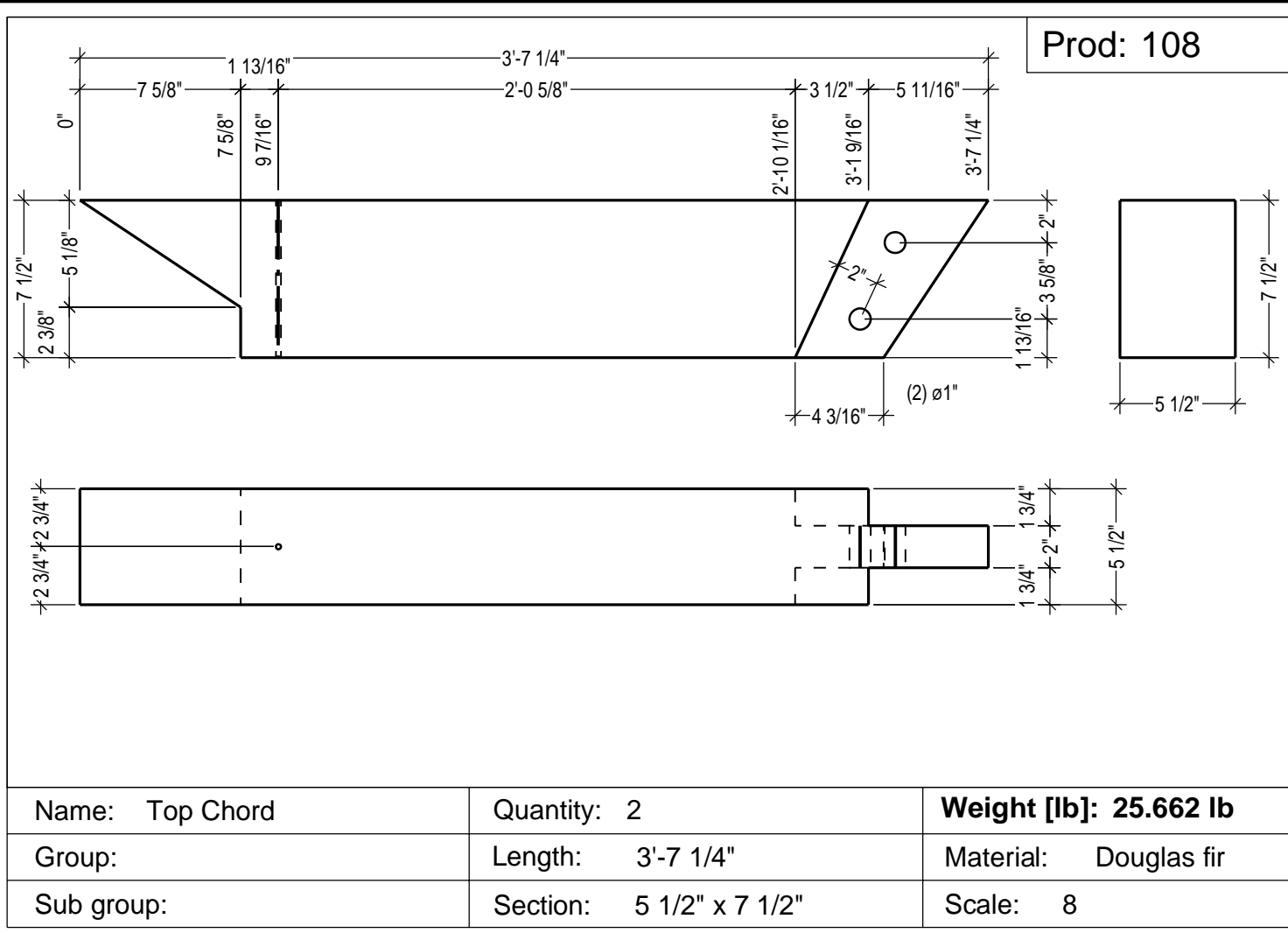
Prod: 106

|            |           |           |                 |              |             |
|------------|-----------|-----------|-----------------|--------------|-------------|
| Name:      | Top Chord | Quantity: | 4               | Weight [lb]: | 25.869 lb   |
| Group:     |           | Length:   | 3'-7 1/4"       | Material:    | Douglas fir |
| Sub group: |           | Section:  | 5 1/2" x 7 1/2" | Scale:       | 8           |



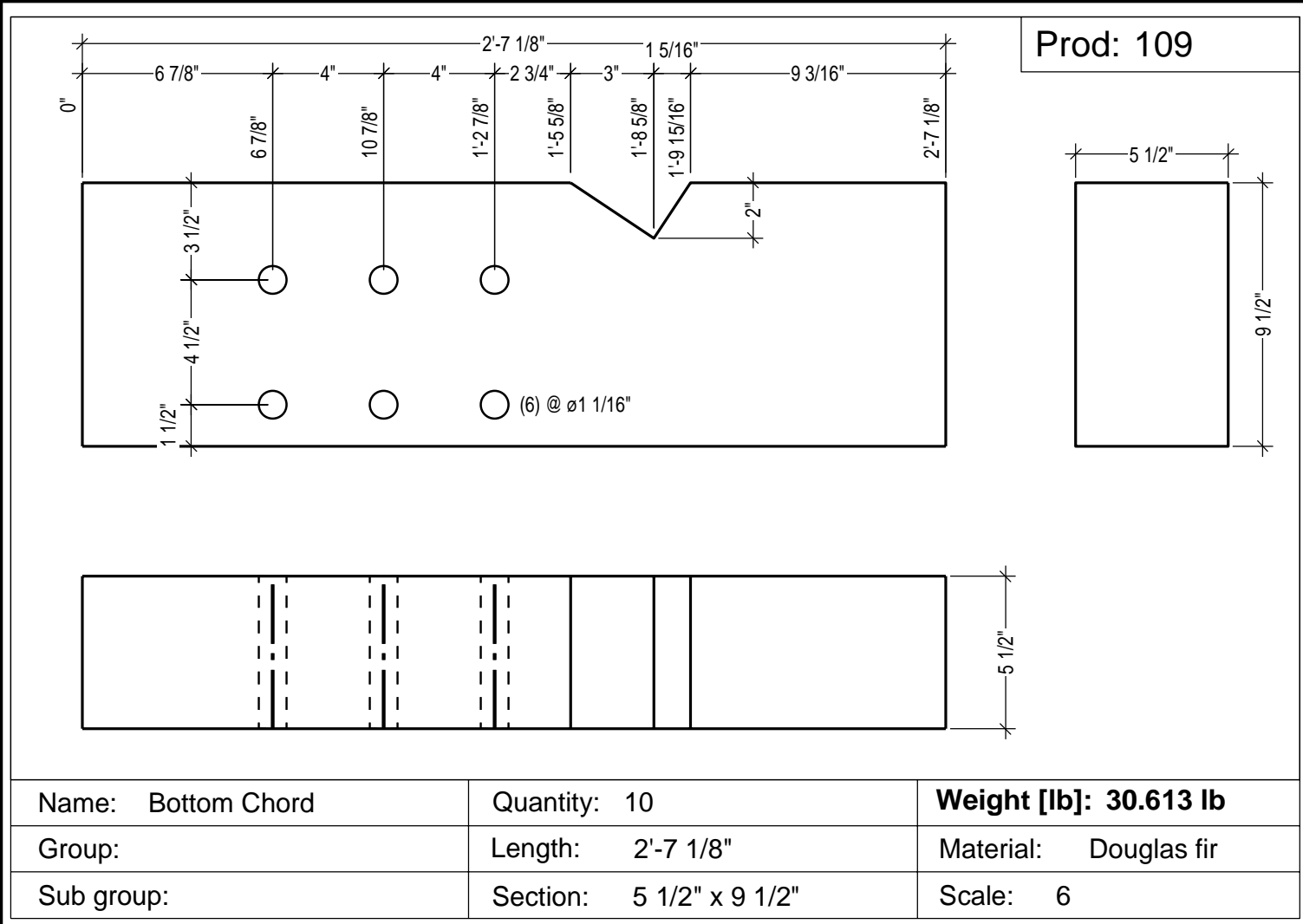
Prod: 107

|            |           |           |                 |              |             |
|------------|-----------|-----------|-----------------|--------------|-------------|
| Name:      | Top Chord | Quantity: | 2               | Weight [lb]: | 25.894 lb   |
| Group:     |           | Length:   | 3'-7 1/4"       | Material:    | Douglas fir |
| Sub group: |           | Section:  | 5 1/2" x 7 1/2" | Scale:       | 8           |



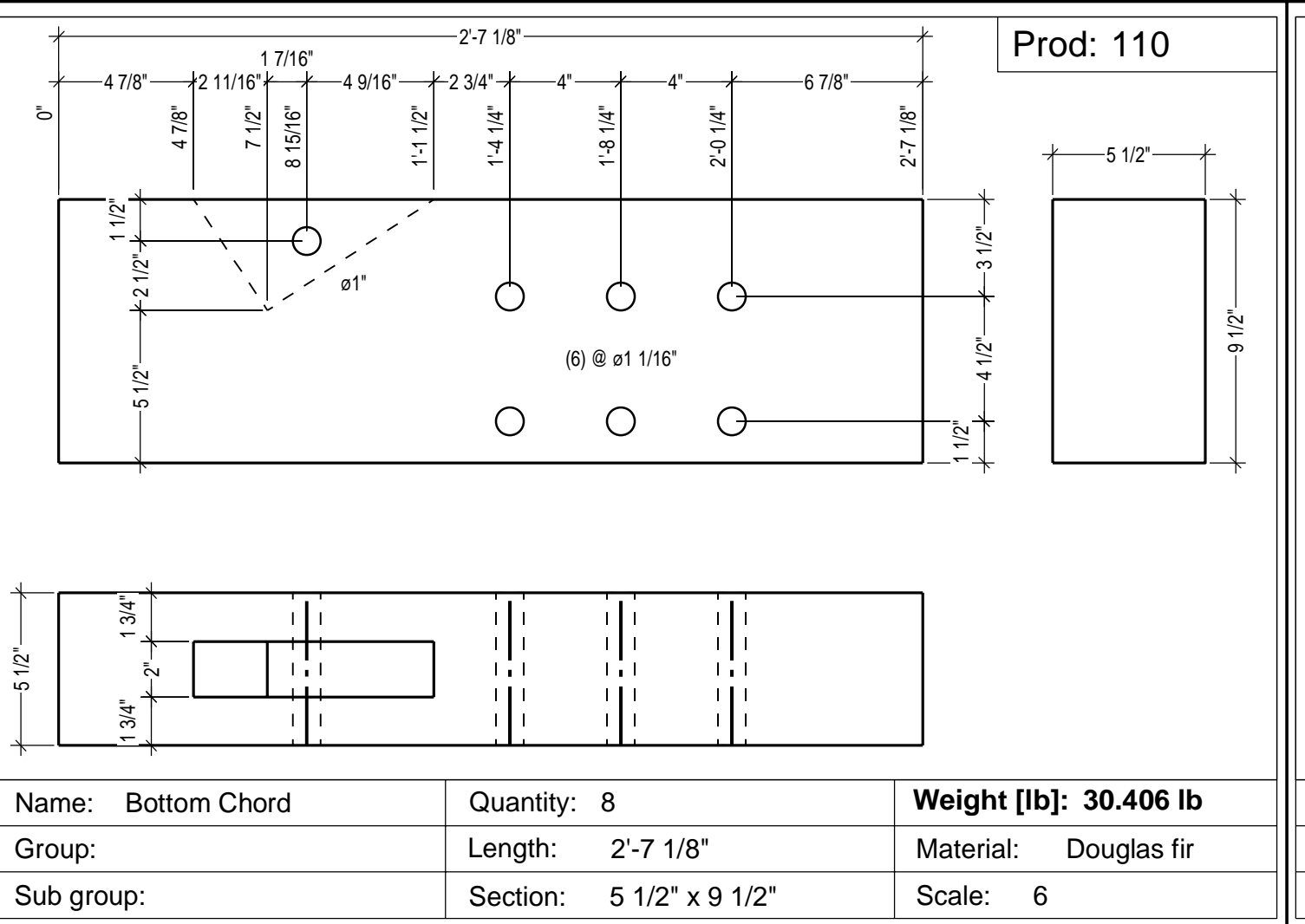
Prod: 108

|            |           |           |                 |              |             |
|------------|-----------|-----------|-----------------|--------------|-------------|
| Name:      | Top Chord | Quantity: | 2               | Weight [lb]: | 25.662 lb   |
| Group:     |           | Length:   | 3'-7 1/4"       | Material:    | Douglas fir |
| Sub group: |           | Section:  | 5 1/2" x 7 1/2" | Scale:       | 8           |



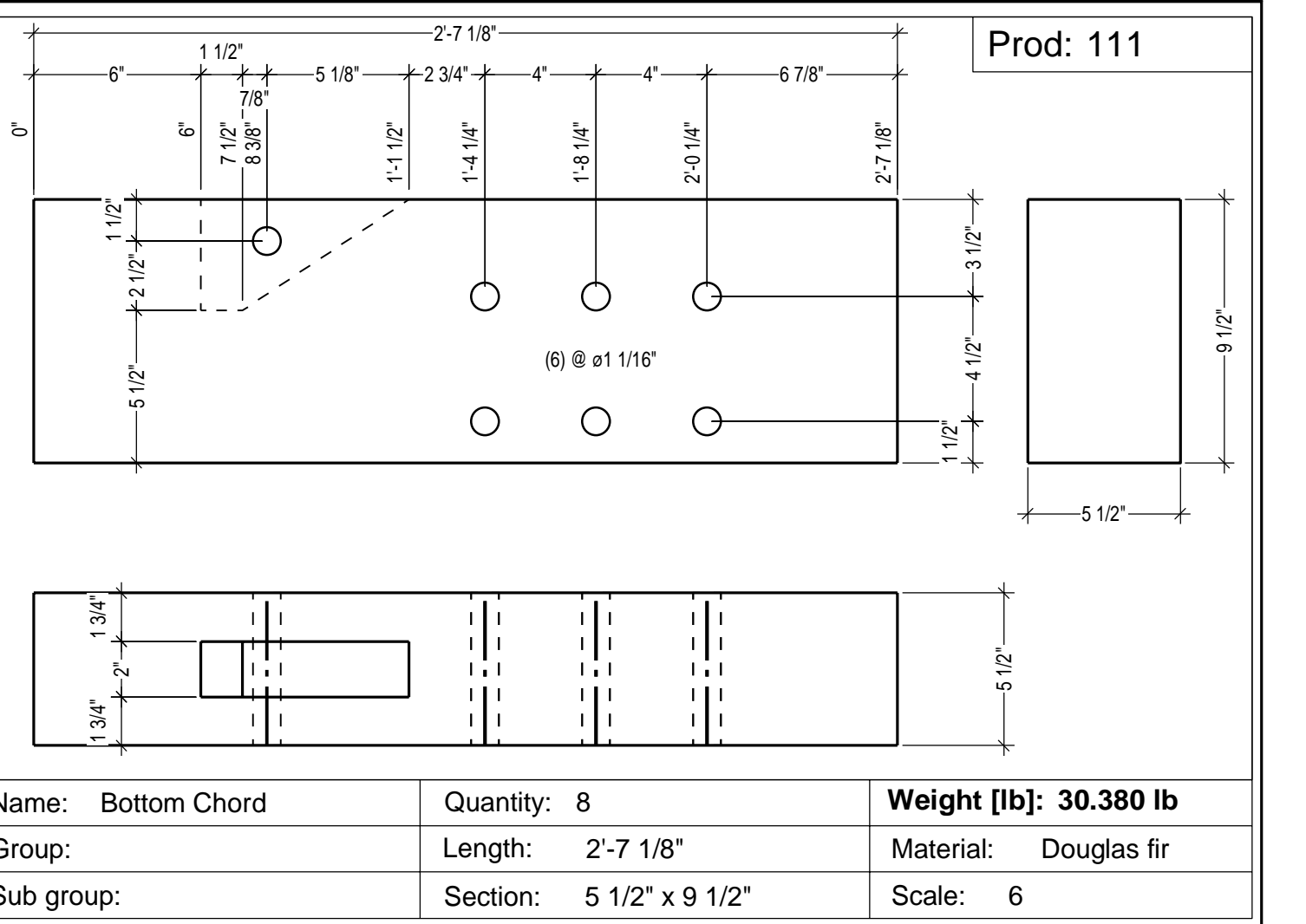
Prod: 109

|            |              |           |                 |              |             |
|------------|--------------|-----------|-----------------|--------------|-------------|
| Name:      | Bottom Chord | Quantity: | 10              | Weight [lb]: | 30.613 lb   |
| Group:     |              | Length:   | 2'-7 1/8"       | Material:    | Douglas fir |
| Sub group: |              | Section:  | 5 1/2" x 9 1/2" | Scale:       | 6           |



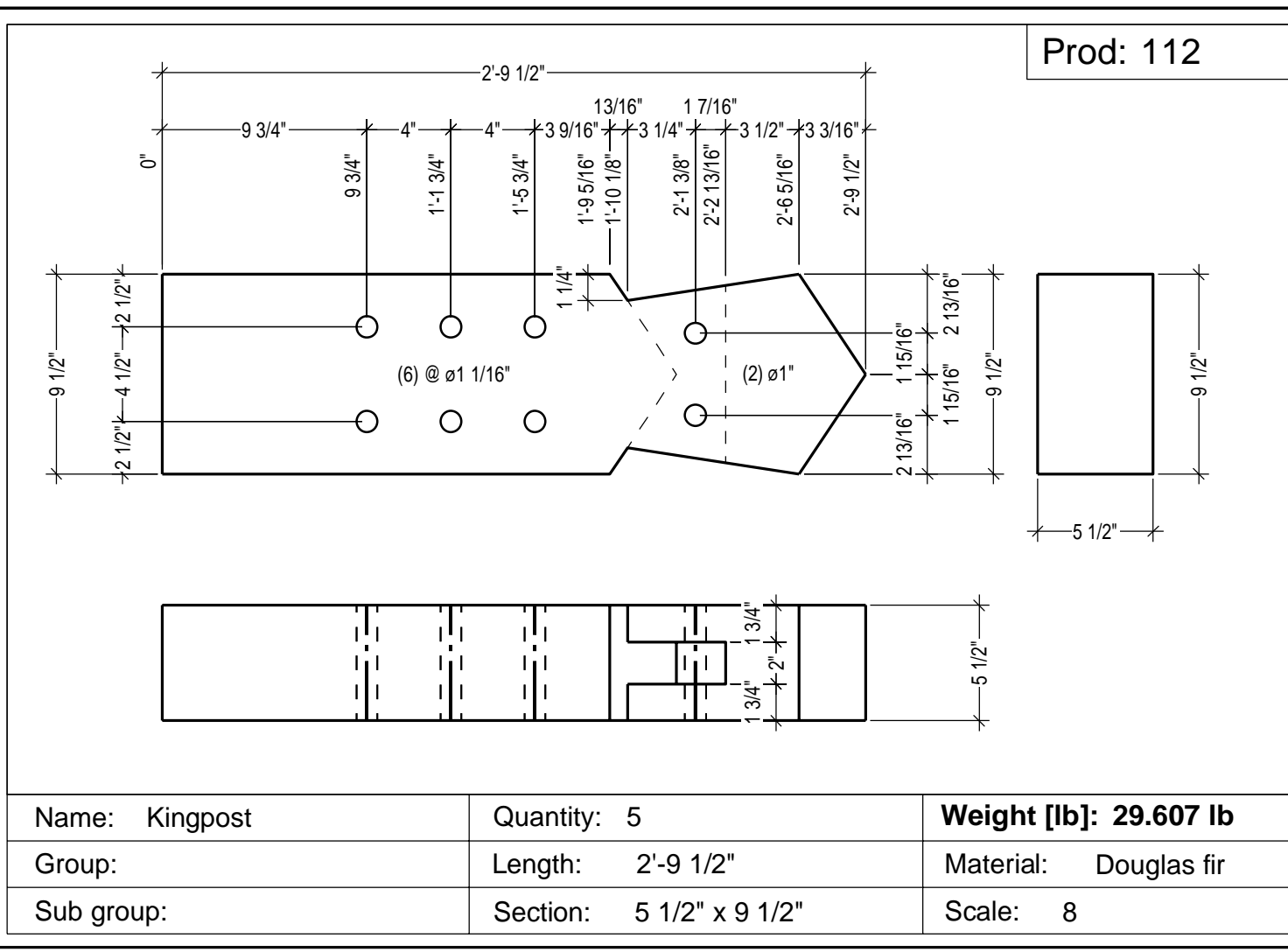
Prod: 110

|            |              |           |                 |              |             |
|------------|--------------|-----------|-----------------|--------------|-------------|
| Name:      | Bottom Chord | Quantity: | 8               | Weight [lb]: | 30.406 lb   |
| Group:     |              | Length:   | 2'-7 1/8"       | Material:    | Douglas fir |
| Sub group: |              | Section:  | 5 1/2" x 9 1/2" | Scale:       | 6           |



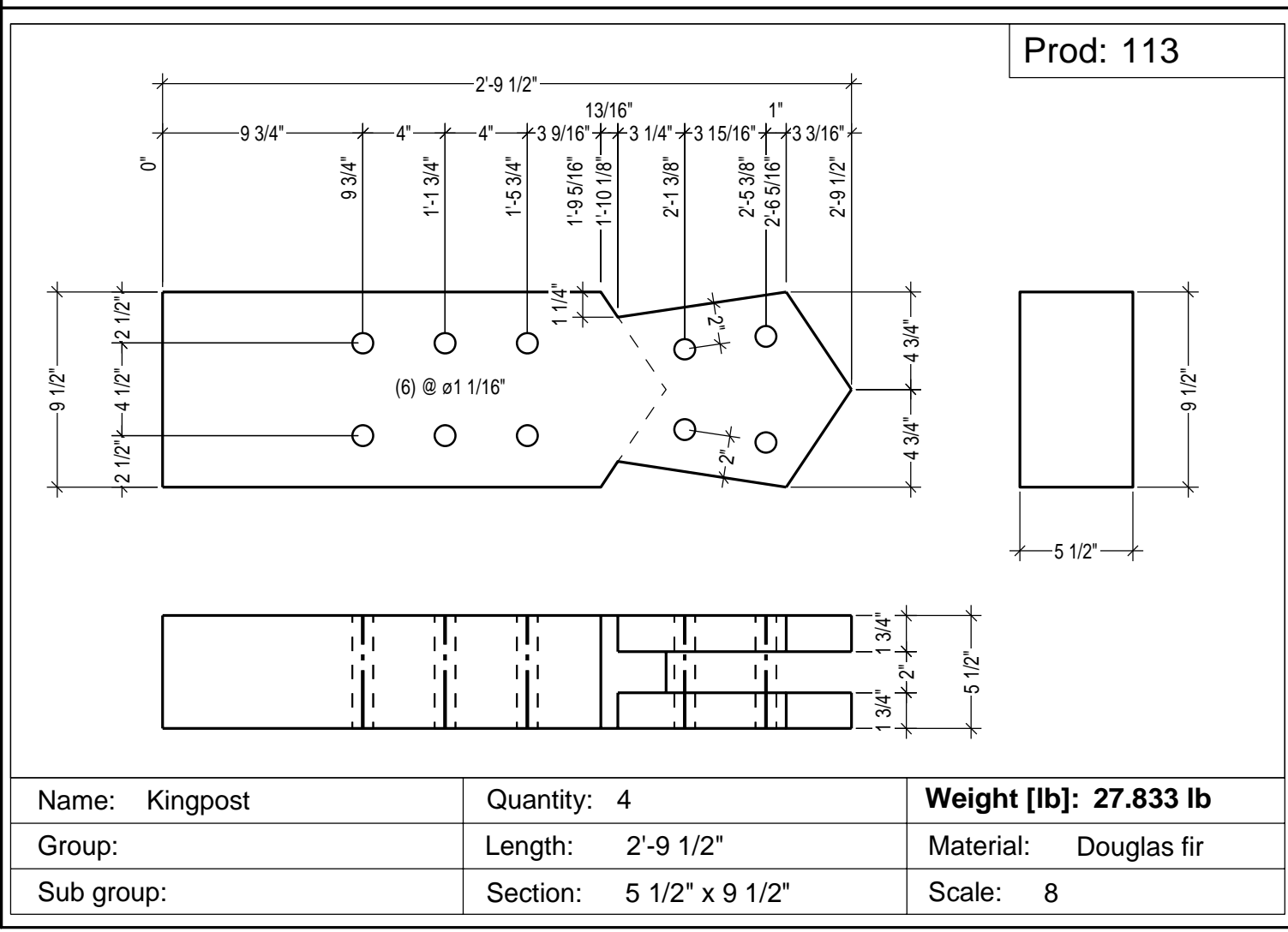
Prod: 111

|            |              |           |                 |              |             |
|------------|--------------|-----------|-----------------|--------------|-------------|
| Name:      | Bottom Chord | Quantity: | 8               | Weight [lb]: | 30.380 lb   |
| Group:     |              | Length:   | 2'-7 1/8"       | Material:    | Douglas fir |
| Sub group: |              | Section:  | 5 1/2" x 9 1/2" | Scale:       | 6           |



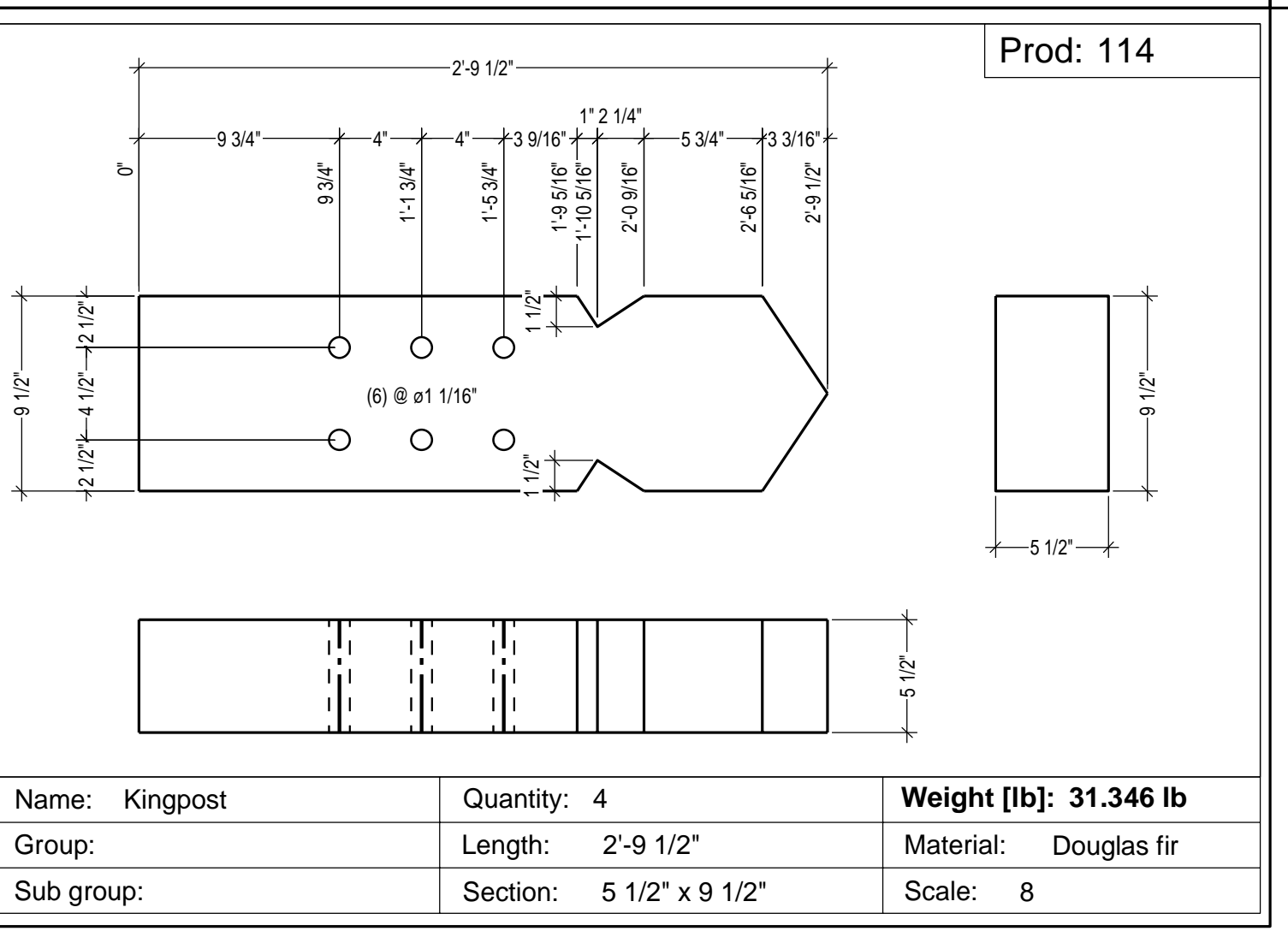
Prod: 112

|            |          |           |                 |              |             |
|------------|----------|-----------|-----------------|--------------|-------------|
| Name:      | Kingpost | Quantity: | 5               | Weight [lb]: | 29.607 lb   |
| Group:     |          | Length:   | 2'-9 1/2"       | Material:    | Douglas fir |
| Sub group: |          | Section:  | 5 1/2" x 9 1/2" | Scale:       | 8           |



Prod: 113

|            |          |           |                 |              |             |
|------------|----------|-----------|-----------------|--------------|-------------|
| Name:      | Kingpost | Quantity: | 4               | Weight [lb]: | 27.833 lb   |
| Group:     |          | Length:   | 2'-9 1/2"       | Material:    | Douglas fir |
| Sub group: |          | Section:  | 5 1/2" x 9 1/2" | Scale:       | 8           |



Prod: 114

|            |          |           |                 |              |             |
|------------|----------|-----------|-----------------|--------------|-------------|
| Name:      | Kingpost | Quantity: | 4               | Weight [lb]: | 31.346 lb   |
| Group:     |          | Length:   | 2'-9 1/2"       | Material:    | Douglas fir |
| Sub group: |          | Section:  | 5 1/2" x 9 1/2" | Scale:       | 8           |

Project: McGinnis Research Project

Drawn By: MJM  
Checked By:  
Date: 02-04-21  
Plot Date: 12-08-22

| REVISIONS | BY | CHECKED BY |
|-----------|----|------------|
|           |    |            |
|           |    |            |
|           |    |            |
|           |    |            |
|           |    |            |

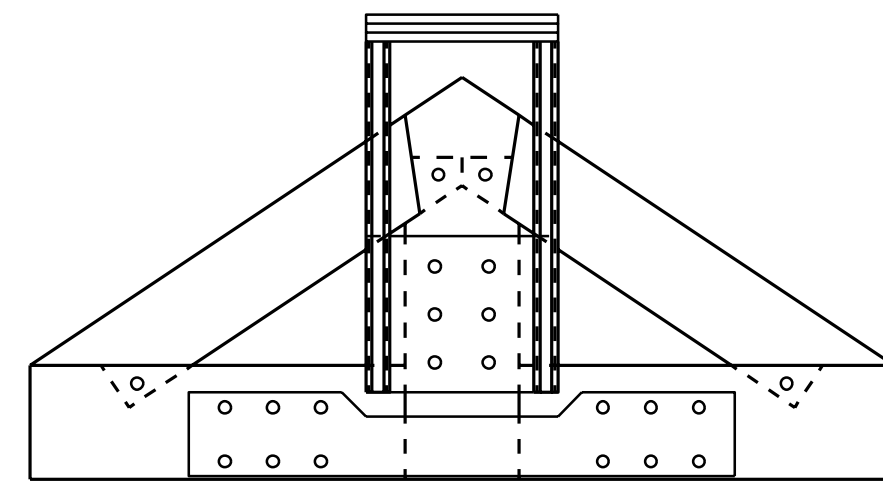
SHEET  
**B-4**

**General Notes:**

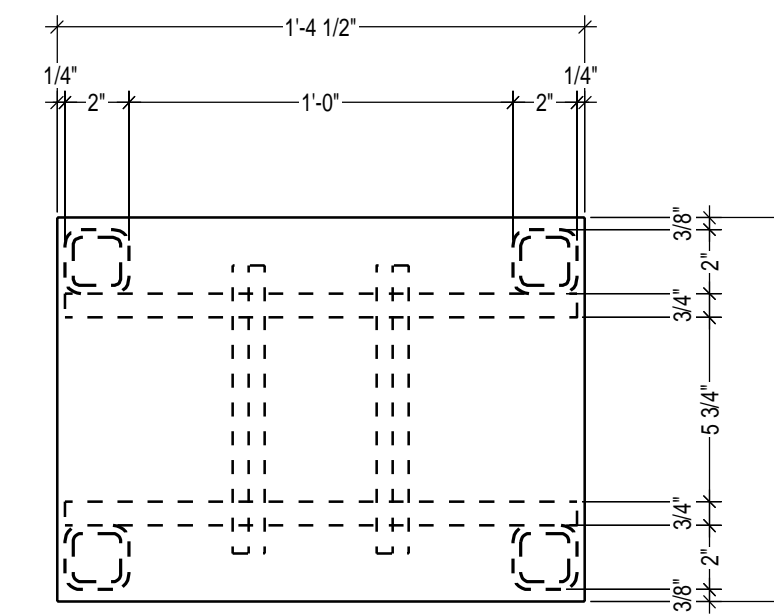
Timbers to be Douglas Fir #1 S4S  
 Pegs to be 1" White Oak  
 All edges to have NO chamfer  
 Timber to have NO finish  
 All Bolts to be 1" zinc coated Grade A307.  
 All Steel to be A36 and have NO finish  
 Timber is a natural product. Checking is normal and to be expected.

3D file name : 2021-02-04 McGinnis Research Project 3d.3d Customer:  
 3D output date: 02-10-2021 - 13:13:25 Project number:  
 Date: 02-10-2021

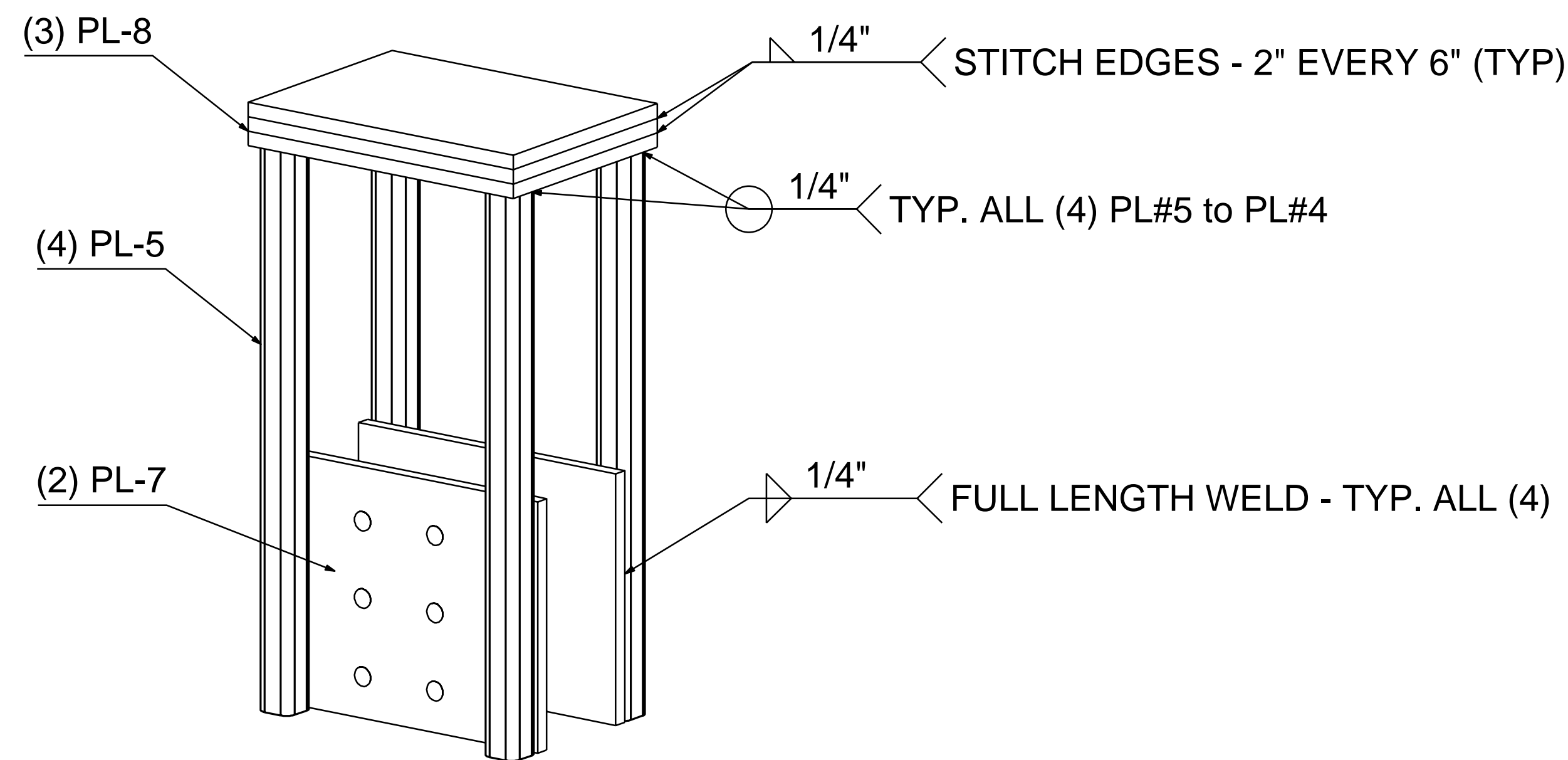
| No. | PL | Name    | Material           | Quantity | Real width inch | Real height inch | Real Length inch | Total weight lb |
|-----|----|---------|--------------------|----------|-----------------|------------------|------------------|-----------------|
| 1   |    | Log Hog | Steel              | 8        | 1/4"            | 1/4"             | 9"               | 1.002           |
| 2   |    | Log Hog | Steel              | 10       | 1/4"            | 1/4"             | 11"              | 1.531           |
| 3   |    | Peg     | Oak                | 46       | 1"              | 1"               | 5 1/2"           | 5.408           |
| 4   |    | BoLL    | Steel              | 18       | 1"              | 1"               | 9"               | 36.091          |
| 5   |    | Post    | Steel / HSS2X2X1/4 | 4        | 2"              | 2"               | 2'-5 1/4"        | 52.737          |
| 6   |    | PLate   | Steel              | 2        | 7"              | 3/4"             | 3'-9 1/2"        | 120.201         |
| 7   |    | PLate   | Steel              | 2        | 1'-4"           | 3/4"             | 1'-1"            | 88.502          |
| 8   |    | PLate   | Steel              | 3        | 1'-4 1/2"       | 3/4"             | 1'               | 126.371         |



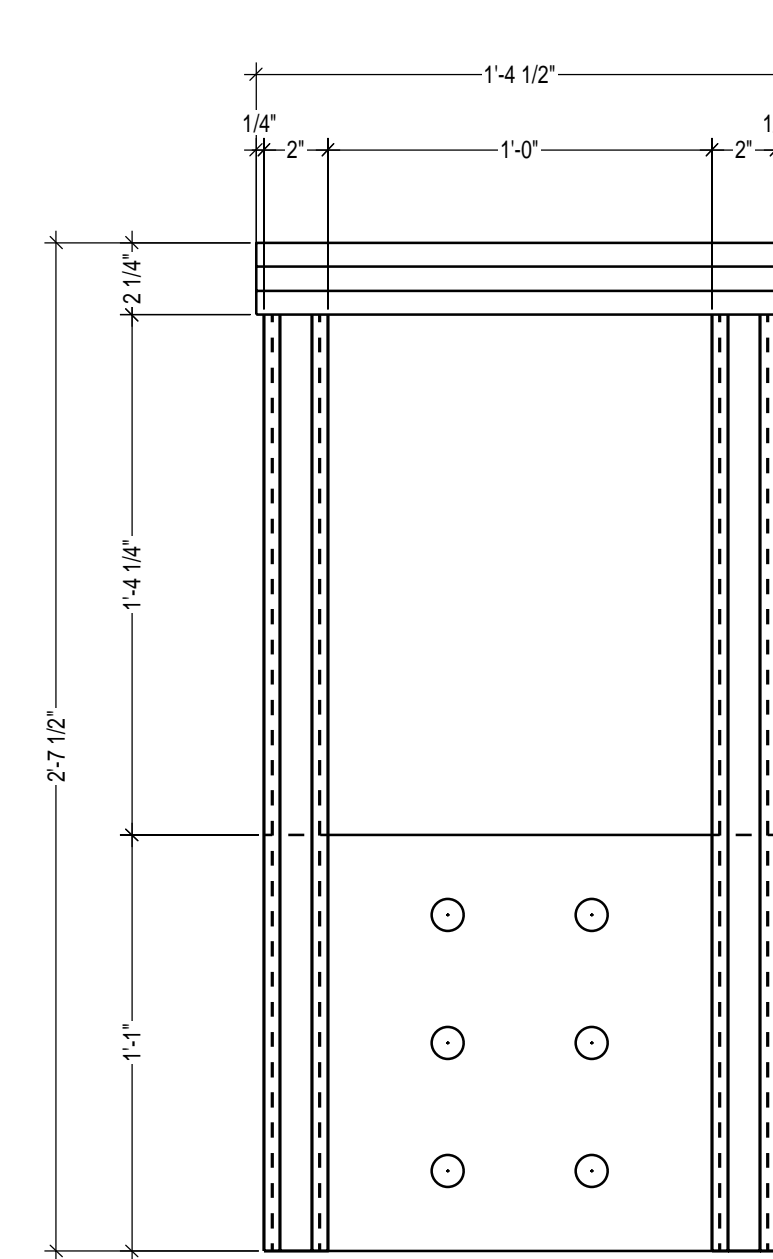
**RIG SHOWN ON TRUSS FOR TESTING**



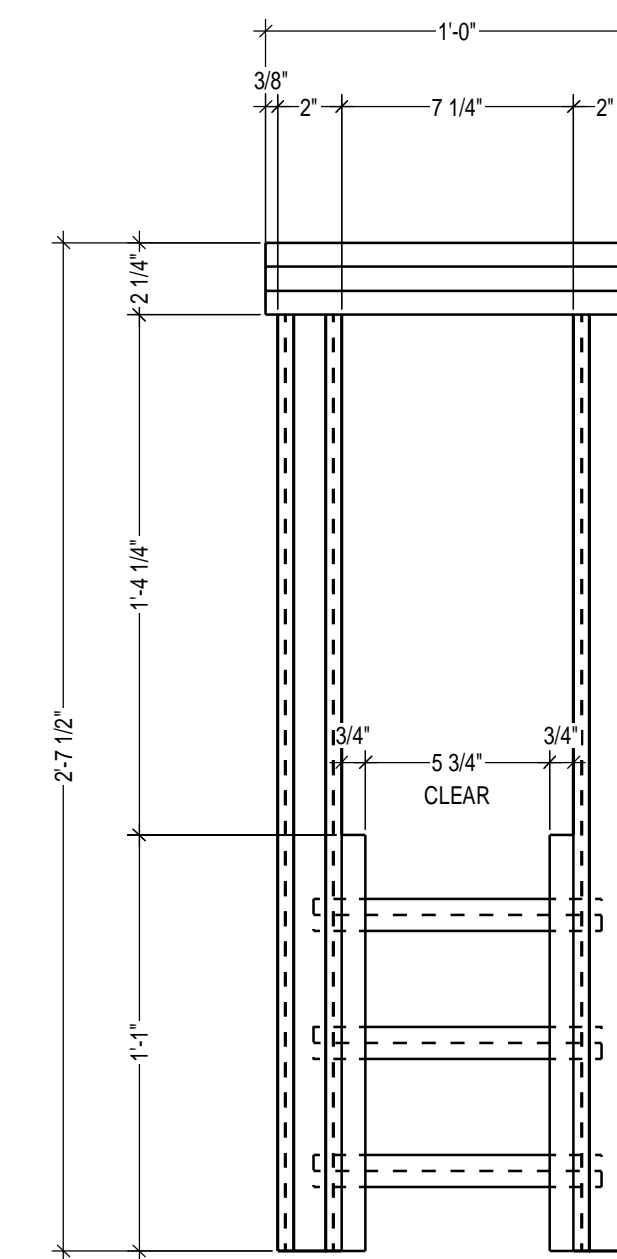
**RIG TOP VIEW**



**RIG ISOMETRIC**



**RIG FRONT VIEW**



**RIG SIDE VIEW**

**Prod: 5**

|            |      |           |           |              |           |
|------------|------|-----------|-----------|--------------|-----------|
| Name:      | Post | Quantity: | 4         | Weight [lb]: | 13.184 lb |
| Group:     |      | Length:   | 2'-5 1/4" | Material:    | Steel     |
| Sub group: |      | Section:  | 2" x 2"   | Scale:       | 6         |

**Prod: 6**

|            |       |           |           |              |           |
|------------|-------|-----------|-----------|--------------|-----------|
| Name:      | Plate | Quantity: | 2         | Weight [lb]: | 60.101 lb |
| Group:     |       | Length:   | 3'-9 1/2" | Material:    | Steel     |
| Sub group: |       | Section:  | 7" x 3/4" | Scale:       | 8         |

**Prod: 7**

|            |       |           |              |              |           |
|------------|-------|-----------|--------------|--------------|-----------|
| Name:      | Plate | Quantity: | 2            | Weight [lb]: | 44.251 lb |
| Group:     |       | Length:   | 1'-1"        | Material:    | Steel     |
| Sub group: |       | Section:  | 1'-4" x 3/4" | Scale:       | 6         |

**Prod: 8**

|            |       |           |                  |              |           |
|------------|-------|-----------|------------------|--------------|-----------|
| Name:      | Plate | Quantity: | 3                | Weight [lb]: | 42.124 lb |
| Group:     |       | Length:   | 1'-0"            | Material:    | Steel     |
| Sub group: |       | Section:  | 1'-4 1/2" x 3/4" | Scale:       | 6         |

Project: McGinnis Research Project

Drawn By: MJM  
 Checked By:  
 Date: 02-04-21  
 Plot Date: 12-08-22

| REVISIONS | BY | CHECKED BY |
|-----------|----|------------|
| xx/xx     | XX | XX         |
|           |    |            |
|           |    |            |
|           |    |            |
|           |    |            |

SHEET **B-5**

