

University of New Hampshire

University of New Hampshire Scholars' Repository

Honors Theses and Capstones

Student Scholarship

Spring 2021

Before and After the #MeToo Movement: Investigating how the Media Discusses Male Perpetrated Sexual Harassment

Maya Rose Coykendall
University of New Hampshire, Durham

Follow this and additional works at: <https://scholars.unh.edu/honors>



Part of the [Social Justice Commons](#), [Social Work Commons](#), and the [Women's Studies Commons](#)

Recommended Citation

Coykendall, Maya Rose, "Before and After the #MeToo Movement: Investigating how the Media Discusses Male Perpetrated Sexual Harassment" (2021). *Honors Theses and Capstones*. 559.
<https://scholars.unh.edu/honors/559>

This Senior Honors Thesis is brought to you for free and open access by the Student Scholarship at University of New Hampshire Scholars' Repository. It has been accepted for inclusion in Honors Theses and Capstones by an authorized administrator of University of New Hampshire Scholars' Repository. For more information, please contact nicole.hentz@unh.edu.

Before and After the #MeToo Movement:

Investigating how the Media Discusses Male Perpetrated Sexual Harassment

Undergraduate Honors Thesis

Thesis Advisor: Jennifer O'Brien, Ph.D

Maya Coykendall

May 21st, 2021

Introduction

Gender-based sexual violence and harassment pervades the American education system, workplace, and general public today (Anderson & Turner, 2017; Hirschman, 2019; Johnson, Fisher, & Jacquier, 2015; Kearl, 2018; Smith, 2020). Sexual harassment has been described as an epidemic, and it “is estimated that around the world at least one woman in every three has been beaten, coerced into sex, or otherwise abused in her lifetime” (Bhatla, 2014, p. 238). A national study on Sexual Harassment and Assault (2018) found the most common outcomes associated with victimization were feelings of anxiety or depression; however, fewer than 10% of victimized individuals sought medical help or mental health counseling (Kearl, 2018). One reason for this is likely the stigma and shame associated with sexual victimization generally, and harassment in particular (Srivastava, Chaudhury, Bhat, & Sahu, 2017). The #MeToo Movement was founded in 2016 in the hopes of raising awareness and de-stigmatizing speaking out about sexual violence (Hillstrom, 2018). In current times, promoting social change occurs in several steps. Linda Hirschman, women’s activist, lawyer, and author, (2019) simplifies modern social change into a “War on Three Fronts” (p. 231): The legal, the political, and the cultural. Social change occurs through legal battles that can travel to the supreme court, policy enacted by legislators and politicians, and the general public’s conception of the problem and need for social change.

What is Sexual Violence

This study aims to explore facets of gender-based sexual violence and how it is or is not perpetuated by news media. The term “sexual violence” is defined by the United Nations as “a form of gender-based violence and encompasses any sexual act, attempt to obtain a sexual act, unwanted sexual comments or advances, or acts to traffic, or otherwise directed against a

person's sexuality using coercion, by any person regardless of their relationship to the victim, in any setting" (2014). Unless otherwise specified, sexual violence will serve as an umbrella term throughout the study to refer to any or all facets of gender-based sexual violence. The term "gender-based" is used to refer to sexual violence in which the male is the perpetrator and the female is the victim.

Sexual Violence in the Media

The media plays a large role in creating awareness and shaping the public perception of certain topics, including sexual violence (Evans, 2016). Luhmann (2000) asserts, "what we know of our society, indeed of the world in which we live, we know through the mass media" (p. 173-176). Social media (e.g., Facebook, Instagram, Twitter) has become a huge platform for sharing news with friends, family, and acquaintances. Although a lot of shared media contains information that is ill-sourced (Mitchell, Jurowitz, Oliphant, & Shearer, 2020), many of the articles shared on social media are from mass media outlets such as CNN or Fox News. Therefore, even as social media dominates as a method of sharing information, mass media is still often the original source.

Existing research has shown mass media often reinforces rape mythology and attributes the cause of incidents of gender-based sexual violence to the victim (DiBennardo, 2018; Isaacs & Mthembu, 2018; O'Boyle & Li, 2019). Lonsway and Fitzgerald (1994) define rape myths as "attitudes and beliefs that are generally false, but are widely and persistently held, and that serve to deny and justify male sexual aggression against women" (p. 134). These studies highlight the media's role in defining and propagating how society views victims and perpetrators and had similar results in that the victim was often disbelieved or considered at fault to the benefit of the perpetrator. Witnessing negative perceptions of victims who come forward dissuades other

victims from reporting harassment or assault (O'Boyle & Li, 2019). To illustrate, The U.S. Bureau of Justice Statistics (2019) reports that only 33.9% of the individuals who suffered sexual violence in 2019 reported the incident to the police. By comparison, 52.1% of aggravated assault survivors and 79.5% victims of motor-vehicle theft reported the incident to authorities (Bureau of Justice Statistics, 2019). This discrepancy in reporting is especially concerning given that a national study on sexual harassment and assault found that 81% of women reported experiencing sexual violence in their lifetime (Kearl, 2018). It is likely that victim blaming, stigma, and associated feelings of shame play a major role in women's decision to report their sexual violence victimization.

Importantly, the media has always published widely on the issue of sexual violence. Indeed, the media is "eager to trade emotionally disturbing stories for clicks" (Grigoriadis, 2017, p. 88). However, these stories are often framed using a gendered lens, or contextualized with incomplete details. Furthermore, the media often only publishes a fragment of the larger story of sexual violence, especially when it comes to harassment possibly occurring in their own institutions. This is especially true of companies like Fox News and CBS, that have struggled with their own internal sexual violence allegations (Zurawik, 2018). When news companies selectively offer information about sexual violence, the public suffers.

The media's discussion of victims and perpetrators is important for the prevention of sexual violence and harassment as well as encouraging victims to come forward. Public denunciations of perpetrators may instill behavior change (Australian Public Service Commission, 2018). If the media is indeed perpetuating victim-blaming narratives, that eliminates societal consequences and enables future potential perpetrators. Changing people's attitudes about sexual violence and unlearning rape mythology shifts the narrative from victim-

blaming, to placing accountability onto the perpetrator (McMahon, 2011). Witnessing a public condemnation of perpetration therefore may lead to prevention in potential violence or harassment.

#MeToo

#MeToo was first coined by Tarana Burke in 2006 and transformed into a widespread movement in 2017 when Alyssa Milano encouraged sharing encounters of sexual assault or harassment with the hashtag #MeToo on Twitter (Hillstrom, 2018). De Benedictis, Orgad, and Rottenberg's (2019) research supports mass media's role in the campaign's growing popularity and visibility. A sexual violence awareness movement may have shifted the previously victim-blaming mass media's discussion of sexual violence. This was a purposeful tactic, Vanessa Grigoriadis in *Blurred Lines* (2017) explains sexual violence advocates and activists' strategy of bombarding the media with survivors' stories to increase public awareness. Discussing survivor's stories as a more mainstream topic (Solnit, 2017) is an important first step in validating survivors' experiences victimization.

An examination of mainstream media sources and how they discuss incidents of male-perpetrated sexual violence is necessary. Studying incidents wherein there is a female-identified victim specifically has the potential to highlight perpetuated double standards that may cause victims to feel unsafe to come forward whereas perpetrators may be enabled from the lack of actual ramifications. Furthermore, it is important to study the effect the #MeToo movement had on the media's discussion of gender-based sexual violence to see if these movements truly can change the narrative.

Current Study

This review will seek to answer the question *How does the media discuss incidents of sexual violence where there is a male perpetrator and a female victim?* Within the frame of this broad question, the researcher sought to answer three ancillary questions including: (1) How does the media discuss a perpetrator's denial versus a victim's allegation?; (2) To which individual does the news source give more weight?; and (3) Are there differences in the media's discussion of sexual violence before versus after the #MeToo movement?

Given the historical weight and pervasiveness of rape culture in the United States (Grigoriadis, 2017), it is assumed the media perpetuates rape mythology by including arbitrary things such as what the victim was wearing or how much they had to drink to implicate their role in their own assault or harassment. However, due to the widespread #MeToo movement, and 2018 being declared the "year of the woman" (Sommerstein, 2019), this researcher expects there will be measurable differences before and after #MeToo in how incidents of gender-based sexual violence are reported.

Methods

To answer the research question, the author sought to find a variety of news sources from the years 2014 (prior to #MeToo) and 2018 (after #MeToo). In order to locate news sources, the author utilized a research librarian at the University of New Hampshire to assist in finding databases to be able to access the necessary resources. Sources follow as such: CNN, Fox News, ABC News, CBS News, The New York Times, Wall Street Journal, USA Today, The Washington Post, The New Yorker, and the Boston Globe. Four databases were utilized: EBSCO, EBSCOHost, ProQuest, and FoxNews.com.

Study Terms and Definitions

The University of Iowa Libraries (2020) created a database to serve as a starting point for research on the national conversation of sexual assault. Thus, to find relevant articles, the University of Iowa Libraries' (2020) recommendation for search terms were used. The Boolean phrase used for the literature search was: ("rape" OR "sexual assault" OR "sexual harassment" OR "sexual violence" OR "sexual misconduct"). To find sources related to this study, the author only chose media sources that mainly use written media to broadcast or report. Rape, Abuse, and Incest National Network (RAINN) have a section on their website detailing language to use when discussing sexual assault or harassment cases (2020), and what terms are considered derogatory towards the victim. The researcher utilized this list as an additional consideration while examining the articles, especially while assessing whether the article was victim-centered, perpetrator-centered, or objective. The news sources chosen for the current study were found in a Pew Research poll on the "most trusted sources of news" in the United States (Gottfried & Mitchell, 2020). These news sources were meant to represent sources of media that are not only widely circulated but also trusted as reliable and true by their readership.

Inclusion Criteria

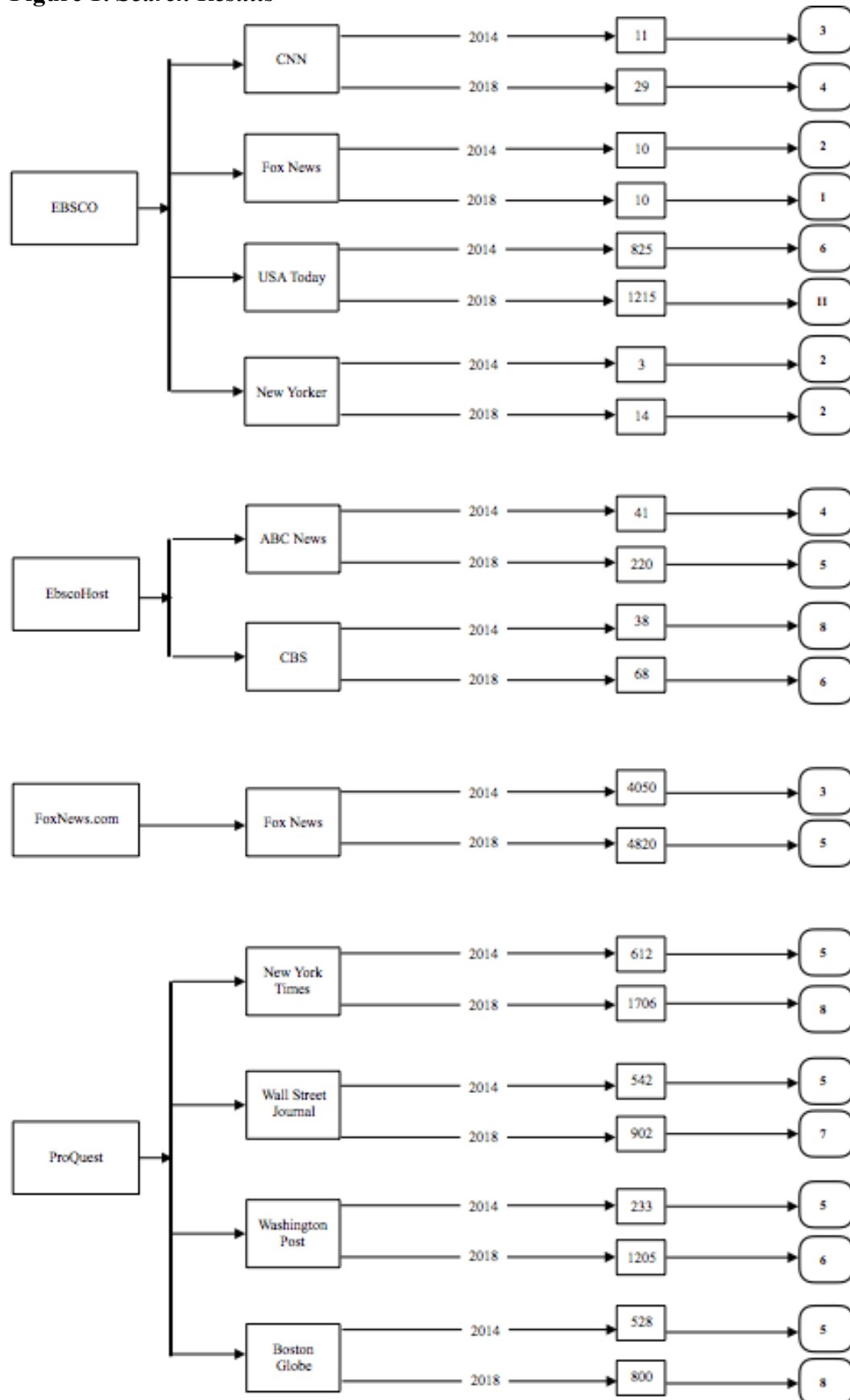
To understand the effect #MeToo had on the media, the articles chosen were limited to the year 2014 (before #MeToo movement) and the year 2018 (after/during #MeToo movement). After using the Boolean phrase mentioned above, articles were reviewed according to the following inclusion criteria: (1) the article was about a male perpetrator(s) and a female victim(s) of sexual violence; (2) the article was about the case and predated the case's actual court or senate judgement; (3) the article was about an incident or incidents that had occurred in the United States. The second inclusion criteria was included in order to ensure the article related judgements from the reporter or public and was not affected by an official judicial decision.

Importantly, if there were multiple articles about high profile cases (i.e. Bill Cosby or Harvey Weinstein), only the most recent article was selected. This was done in order to ensure it was the most updated facts on the case. Only one was selected to guard against an individual case skewing the data. The initial search resulted in 17,877 articles overall, a visual representation can be found in figure 1. After applying inclusion criteria, 108 articles were utilized in all, 45 from year 2014, 63 from year 2018.

A detailed extraction form was created based on the primary and ancillary research questions. The extraction form was then reviewed by an independent researcher, familiar with the topic. After initial edits were made, the extraction form was emailed to 5 additional experts in the field of sexual violence, gender-based violence, and #MeToo. Feedback from these scholars was then integrated into the final extraction form. This form was then used to extract relevant data on victim and perpetrator characteristics, bias, and media portrayals of sexual violence.

Once the data was collected into an excel table, the author focused on five significant trends presented by the data. The language then was determined whether it was discussed in a non-biased way towards the perpetrator or victim and whose story they give more attention; or if relevant, the case was used to give someone or something else attention, whether that be positive or negative, such as the #MeToo movement itself.

Figure 1: Search Results



Results

After all article extractions were completed, notable differences across sources and years revealed five distinct themes: (1) Label of incidents (2) Status, identity, or career of victim(s) or perpetrator(s); (3) Positive attributes and negative attributes; (4) Negative ramifications; and (5) An assessment of whether the article was victim-centered, perpetrator centered, objective, or other. The quantitative extraction form for each of these findings is located in Appendix A and the qualitative extraction form can be found in Appendix B.

Label of Incident(s)

The selected articles from each source displayed a difference in how they labelled reported incidents. This opens the conversation to encompass other harmful incidents of gender-based violence. One of the most significant differences is USA Today, where 100% of the selected articles in 2014 described the incident as “rape or sexual assault” whereas in 2018 the label of the incident varied. The Washington Post is the only consistent source that only reported on rape or sexual assault 100% of the time in both 2014 and 2018.

Interestingly, “Sexual Misconduct” was not utilized in any articles from 2014, yet in 2018 it was used in 7 out of 10 of the sources. At 40%, Fox News utilized it to describe the incidents reported the most, whereas USA Today, The Washington Post, and The New Yorker did not use it at all in the selected articles in 2014 or 2018.

Table 1: Label of Incident

Source	"Rape/Sexual Assault"	"Sexual Harassment"	"Sexual Misconduct"	Other
CNN (2014)	66.7% (n=1)	0% (n=0)	0% (n=0)	33.3% (n=1)
CNN (2018)	75% (n=3)	0% (n=0)	25% (n=1)	0% (n=0)
FOX (2014)	100% (n=5)	0% (n=0)	0% (n=0)	0% (n=0)
FOX (2018)	20% (n=1)	20% (n=1)	40% (n=2)	20% (n=1)
ABC (2014)	100% (n=4)	0% (n=0)	0% (n=0)	0% (n=0)
ABC (2018)	80% (n=4)	0% (n=0)	20% (n=1)	0% (n=0)
CBS (2014)	80% (n=4)	0% (n=0)	0% (n=0)	20% (n=1)
CBS (2018)	66.7% (n=4)	0% (n=0)	16.7% (n=1)	16.7% (n=1)
New York Times (2014)	80% (n=4)	20% (n=1)	0% (n=0)	0% (n=0)
New York Times (2018)	62.5% (n=5)	25% (n=2)	12.5% (n=1)	0% (n=0)
Wall Street Journal (2014)	80% (n=4)	20% (n=1)	0% (n=0)	0% (n=0)
Wall Street Journal (2018)	57.1% (n=4)	0% (n=0)	28.6% (n=2)	14.3% (n=1)
USA Today (2014)	100% (n=6)	0% (n=0)	0% (n=0)	0% (n=0)
USA Today (2018)	72.7% (n=8)	18.2% (n=2)	0% (n=0)	9.1% (n=1)
The Washington Post (2014)	100% (n=5)	0% (n=0)	0% (n=0)	0% (n=0)
The Washington Post (2018)	100% (n=6)	0% (n=0)	0% (n=0)	0.00%
The New Yorker (2014)	0% (n=0)	0% (n=0)	0% (n=0)	100% (n=2)
The New Yorker (2018)	100% (n=2)	0% (n=0)	0% (n=0)	0% (n=0)
The Boston Globe (2014)	80% (n=4)	0% (n=0)	0% (n=0)	20% (n=1)
The Boston Globe (2018)	50% (n=4)	0% (n=0)	25% (n=2)	25% (n=2)

Status, Identity, or Career of Victim(s) or Perpetrator(s)

The identity or status of the people involved in the article (either the victim or perpetrator) was categorized into college student, celebrity (which includes actors, singers, reality TV stars, and professional athletes), position of power (which can be a CEO, a politician, a judge, a police officer, or a professor), local, or other. A visual representation of the identity/status of the individuals in each news source may be found in Table 2. Results indicate that in 2014, college student stories dominated the media discussions about sexual violence. Interestingly, 2018 shows a huge difference as almost no sources describe cases about college students (however, there were articles about college professors) besides USA Today wherein 9.09% of articles selected discussed a college student case.

Positions of power were increasingly discussed in 2018 as opposed to 2014. This label deviates from “Celebrities” because this section was often discussed in terms of power dynamics. For instance, “Academic economics has struggled to advance women to doctorates and professorships. The approval of a small group of prominent researchers, mostly men, can make or break careers” (New York Times, Appendix B). The New York Times and the New Yorker were the only sources in 2014 that had an article about a position of power case, whereas in 2018, 100% or all ten of the sources discussed cases about a person in a position of power.

Table 2: Status, Identity, or Career

Source	College Student	Celebrity	Position of Power	Local/Other
CNN (2014)	33.3% (n=1)	66.7% (n=2)	0% (n=0)	0% (n=0)
CNN (2018)	0% (n=0)	50% (n=2)	25% (n=1)	25% (n=1)
FOX (2014)	20% (n=1)	60% (n=3)	0% (n=0)	20% (n=1)
FOX (2018)	0% (n=0)	80% (n=4)	20% (n=1)	0% (n=0)
ABC (2014)	50% (n=2)	25% (n=1)	0% (n=0)	25% (n=1)
ABC (2018)	0% (n=0)	60.00%	20.00%	0% (n=0)
CBS (2014)	20% (n=1)	40% (n=2)	0% (n=0)	40% (n=2)
CBS (2018)	0% (n=0)	33.3% (n=2)	66.7% (n=4)	0% (n=0)
New York Times (2014)	40% (n=2)	20% (n=1)	20% (n=1)	20% (n=1)
New York Times (2018)	0% (n=0)	37.5% (n=3)	62.5% (n=5)	0% (n=0)
Wall Street Journal (2014)	40% (n=2)	20% (n=1)	0% (n=0)	40% (n=2)
Wall Street Journal (2018)	0% (n=0)	14.3% (n=1)	85.7% (n=6)	0% (n=0)
USA Today (2014)	33.3% (n=2)	50% (n=3)	0% (n=0)	16.7% (n=1)
USA Today (2018)	9.1% (n=1)	63.6% (n=7)	18.2% (n=2)	9.1% (n=1)
The Washington Post (2014)	60% (n=3)	40% (n=2)	0% (n=0)	0% (n=0)
The Washington Post (2018)	0% (n=0)	50% (n=3)	33.3% (n=2)	16.7% (n=1)
The New Yorker (2014)	50.00% (n=1)	0% (n=0)	50.00% (n=1)	0% (n=0)
The New Yorker (2018)	0% (n=0)	0% (n=0)	50.00% (n=1)	50.00% (n=1)
The Boston Globe (2014)	40% (n=2)	20% (n=1)	0% (n=0)	40% (n=2)
The Boston Globe (2018)	0% (n=0)	37.5% (n=3)	50% (n=4)	12.5% (n=1)

Positive Attributes and Negative Attributes Described

Aspects of negative and/or positive attributes of the victim and perpetrator were extracted from the articles. Positive attributes could be the individual(s)' credibility, or previous awards, accreditation. Negative attributes pertain to the adverse, such as a lack of credibility, criminal records. In 2014 to 2018 there does not seem to be a change in the gross number of positive or negative attributes discussed in each news sources by year, however, there were some interesting differences in the positive attributes given to victims in 2018. Specifically, victim positive attributes decline in 2018 when compared to similar articles in 2014. Notably, The New Yorker is an outlier since in 2018 the selected articles did not mention any attributes about the victim nor the perpetrator. ABC had a significant decline in discussing positive attributes about the victim from 100% in 2014 to 20% in 2018.

Examining the qualitative data, located in Appendix B, provides insight into what is attributed positive or negative. A positive attribute extracted from "When Rape Strikes Close to Home", the author wrote of Dylan Farrow's alleged sexual assault: "to me, her words rang true" (USA Today, 2014). Some negative attributes reported, also about Dylan Farrow from CNN said "she couldn't distinguish fact from fantasy, and two that she was probably coached" (CNN, 2014). A perpetrator positive attribute was described in "A Harvard Star, Accused" of Economics Professor and researcher, Dr. Roland G. Fryer Jr.: "Before he turned 40 [Fryer] has earned tenure at Harvard, received a MacArthur 'genius' grant and won the most prestigious award for young American Economists" (New York Times, 2018). A negative attribute of Supreme Court nominee Brett Kavanaugh was "His testimony demonstrated a disturbing lack of judicial demeanor and temperament required for the highest court" (The Boston Globe, 2018).

Table 3: Positive and Negative Attributes

Source	Victim Positive Attr.	Victim Negative Attr.	Perpetrator Positive Attr.	Perpetrator Negative Attr.
CNN (2014)	66.7% (n=2)	66.7% (n=2)	33.3% (n=1)	33.3% (n=1)
CNN (2018)	25.0% (n=1)	25.0% (n=1)	100% (n=4)	75.0% (n=3)
FOX (2014)	0% (n=0)	40.0% (n=2)	40.0% (n=2)	60.0% (n=3)
FOX (2018)	20.0% (n=1)	60.0% (n=3)	80.0% (n=4)	40.0% (n=2)
ABC (2014)	100.0% (n=4)	25.0% (n=1)	50.0% (n=2)	25.0% (n=1)
ABC (2018)	20.0% (n=1)	60.0% (n=3)	80.0% (n=4)	40.0% (n=2)
CBS (2014)	0% (n=0)	40.0% (n=2)	40.0% (n=2)	0% (n=0)
CBS (2018)	33.3% (n=2)	33.3% (n=2)	16.7% (n=1)	16.7% (n=1)
New York Times (2014)	20.0% (n=1)	40.0% (n=2)	80.0% (n=4)	20.0% (n=1)
New York Times (2018)	62.5% (n=5)	50.0% (n=4)	50.0% (n=4)	50.0% (n=4)
Wall Street Journal (2014)	0% (n=0)	20.0% (n=1)	60.0% (n=3)	20.0% (n=1)
Wall Street Journal (2018)	14.3% (n=1)	42.9% (n=3)	57.1% (n=4)	14.3% (n=1)
USA Today (2014)	66.7% (n=4)	33.3% (n=2)	50.0% (n=3)	66.7% (n=4)
USA Today (2018)	27.3% (n=3)	72.7% (n=8)	36.4% (n=4)	36.4% (n=4)
The Washington Post (2014)	20.0% (n=1)	20.0% (n=1)	40.0% (n=2)	40.0% (n=2)
The Washington Post (2018)	16.7% (n=1)	16.7% (n=1)	50.0% (n=3)	16.7% (n=1)
The New Yorker (2014)	50.0% (n=2)	0% (n=0)	50.0% (n=2)	50.0% (n=2)
The New Yorker (2018)	0% (n=0)	0% (n=0)	0% (n=0)	0% (n=0)
The Boston Globe (2014)	20.0% (n=1)	20.0% (n=1)	80.0% (n=4)	0% (n=0)
The Boston Globe (2018)	12.5% (n=1)	12.5% (n=1)	37.5% (n=3)	37.5% (n=3)

Negative Ramifications

Table 4 demonstrates the portion of articles that mentioned a negative ramification for either the victim(s) or perpetrator(s). The term negative ramification is purposefully utilized to refer to both immediate consequences potentially caused by the incident such as injury, job loss, suspension, marital and familial problems, or apologies issued; and longer-term ramifications such as black listing, prison time, industry evaluations, and emotional and mental conditions such as PTSD. The Boston Globe had a significant increase in perpetrator negative ramification from 20% in 2014 to 87.50% in 2018. The New Yorker had a complete switch from discussing the perpetrator negative ramification in 100% of the selected articles in 2014 to 100% of victim negative ramification and 0% perpetrator negative ramification in 2018.

The severity of the ramification are displayed in the extraction table in Appendix B. The dozens of assault allegations about Bill Cosby are described as "something that's going to, of course, do great harm to Bill Cosby's legacy" (CNN, 2014). And in 2018 CNN said of James Franco's sexual misconduct allegations, "it kind of sucks that, you know James had this amazing night on Sunday and then just moments later it kind of overshadowed by this very important topic... he had one of the biggest moments in his career Sunday night". In comparison, an example of an extracted victim negative ramification would be she "left the school... and she became the target of death threats on social media (USA Today, 2014) and "considered suicide and abused alcohol after the alleged from which she suffers PTSD" (USA Today, 2018).

Table 4: Negative Ramifications

Source	Victim Negative Ramification	Perpetrator Negative Ramification
CNN (2014)	66.7% (n=2)	33.3% (n=1)
CNN (2018)	25.0% (n=1)	50.0% (n=2)
FOX (2014)	40.0% (n=2)	40.0% (n=2)
FOX (2018)	60.0% (n=3)	80.00% (n=3)
ABC (2014)	25.0% (n=1)	100% (n=4)
ABC (2018)	40.0% (n=2)	20.0% (n=1)
CBS (2014)	0.0% (n=0)	60.0% (n=3)
CBS (2018)	33.3% (n=2)	83.3% (n=5)
New York Times (2014)	20.0% (n=1)	80.0% (n=4)
New York Times (2018)	50.0% (n=4)	37.5% (n=3)
Wall Street Journal (2014)	20.0% (n=1)	80.0% (n=4)
Wall Street Journal (2018)	28.6% (n=2)	57.1% (n=4)
USA Today (2014)	50.0% (n=3)	50.0% (n=3)
USA Today (2018)	54.6% (n=6)	81.8% (n=9)
The Washington Post (2014)	80.0% (n=4)	60.0% (n=3)
The Washington Post (2018)	50.0% (n=3)	16.7% (n=1)
The New Yorker (2014)	0.0% (n=0)	100% (n=2)
The New Yorker (2018)	100% (n=2)	0.0% (n=0)
The Boston Globe (2014)	40.0% (n=2)	20.0% (n=1)
The Boston Globe (2018)	37.5% (n=3)	87.5% (n=7)

Victim Centered, Perpetrator Centered, Objective, or Other

Table 5 displays the percentage of each source whether it was victim-centered, perpetrator centered, objective, or “Other”. Victim-centered means the article discussed the case from the victim’s point of view or did not interview or requests for comment from the perpetrator(s) or perpetrator’s counsel. Perpetrator-centered means the article discussed the case from the perpetrator's point of view or did not interview or request comment from the victim(s) or victim's counsel. Objective means the article simply reported the facts from the case, or made it clear the writers or reporters tried to reach either the victim or perpetrator for additional comments or an interview but could not. Other is when the article utilized the case in order to discuss something else entirely, for instance the university safety standards, workplace atmosphere, or social norms around sexual violence as a whole.

From 2014 to 2018, most news sources transitioned toward the articles being largely objective. Fox News and The Washington Post had a significant increase in perpetrator-centered articles, whereas the rest of the sources had experienced a significant decline in perpetrator-centered articles. Notably, ABC where in 2014, 75% of the selected articles were perpetrator centered, in 2018 only 20% were perpetrator centered. In 2014 The Boston Globe had the highest percentage for objective articles, at 60% however, in 2018 The Wall Street Journal had the highest proportion of objective articles at 71.43%. Importantly, in 2014 many of the articles categorized as “other” were focused on unbiased reporting, college campus safety, and the NFL’s response to domestic violence. However, in 2018, the majority of the articles in the “other” category discussed cases in the context of the #MeToo movement.

Table 5: *Bias or Non-Bias of Article*

Source	Victim-Centered	Perpetrator -Centered	Objective	Other
CNN (2014)	66.7% (n=2)	0% (n=0)	0% (n=0)	33.3% (n=1)
CNN (2018)	25.0% (n=1)	25.0% (n=1)	50.0% (n=2)	0% (n=0)
FOX (2014)	20.0% (n=1)	40.0% (n=2)	20.0% (n=1)	20.0% (n=1)
FOX (2018)	0.0% (n=0)	60.0% (n=3)	20.0% (n=1)	20.0% (n=1)
ABC (2014)	0% (n=0)	75.0% (n=3)	0% (n=0)	25.0% (n=1)
ABC (2018)	40.0% (n=2)	20.0% (n=1)	20.0% (n=1)	20.0% (n=1)
CBS (2014)	0% (n=0)	40.0% (n=2)	20.0% (n=1)	40.0% (n=2)
CBS (2018)	0% (n=0)	33.3% (n=2)	50.0% (n=3)	16.7% (n=1)
New York Times (2014)	20.0% (n=1)	40.0% (n=2)	20.0% (n=1)	20.0% (n=1)
New York Times (2018)	25.0% (n=2)	0% (n=0)	50.0% (n=4)	25.0% (n=2)
Wall Street Journal (2014)	0% (n=0)	20.0% (n=1)	40.0% (n=2)	40.0% (n=2)
Wall Street Journal (2018)	14.3% (n=1)	14.3% (n=1)	71.4% (n=5)	0% (n=0)
USA Today (2014)	33.3% (n=2)	0% (n=0)	50.0% (n=3)	16.7% (n=1)
USA Today (2018)	18.2% (n=2)	18.2% (n=2)	54.6% (n=6)	9.1% (n=1)
The Washington Post (2014)	60.0% (n=3)	0% (n=0)	20.0% (n=1)	20.0% (n=1)
The Washington Post (2018)	0% (n=0)	33.3% (n=2)	66.7% (n=4)	0% (n=0)
The New Yorker (2014)	50.0% (n=1)	0% (n=0)	0% (n=0)	50.0% (n=1)
The New Yorker (2018)	50.0% (n=1)	0% (n=0)	0% (n=0)	50.0% (n=1)
The Boston Globe (2014)	0% (n=0)	0% (n=0)	60.0% (n=3)	40.0% (n=2)
The Boston Globe (2018)	12.5% (n=1)	12.5% (n=1)	62.5% (n=5)	12.5% (n=1)

Discussion

This study aimed to explore systematic differences in mainstream media's discussions of gender-based sexual violence before versus after the #MeToo movement. Study findings highlighted five main areas of change: Incidents reported; Status or identity of people involved in cases reported; Positive and negative attributes described in cases; Negative ramifications of victim and/or perpetrator; and Bias or lack of bias in the article. The researcher hypothesized that many articles would perpetuate rape mythology and double standards for the victim versus the perpetrator would be demonstrated in positive and negative attributes, negative ramifications, and bias. Also, there would be a substantial change from 2014 to 2018. Although there was change, the data did not support substantial evidence for rape myth perpetuation.

Interpretations

The incidents reported changed in 2018 from the majority of the articles being about rape or sexual assault in 2014, to cases divided among sexual assault, sexual harassment, and sexual misconduct in 2018. This was an unexpected finding from the original hypothesis, as the original hypothesis was more centered on *how* sexual assault, rape, sexual harassment, and sexual misconduct is reported, as opposed to *what* sources are choosing to report. Nevertheless, this is still an important finding to support the overall hypothesis and explore the research question. The #MeToo movement was intended to support survivors (Maryville University, 2020) by encouraging them to come forward about sexual assault, abuse, and harassment. It is telling that cases being discussed and given attention extended in 2018 to incorporate harassment and misconduct.

The discussion in the media expanding to include sexual harassment and misconduct is important, as sexual harassment is historically minimized or dismissed as trivial or harmless

(Srivastava, Chaudhury, Bhat, & Sahu, 2017). Women who experience sexual harassment may be concerned that they will be believed, but publicly shamed or experience internalized shame leading to the minimization of their own experience (Smith, 2020). Examples of such minimization include ignoring the incident, or leaving the setting where the harassment occurred, rather than reporting their harasser (Smith, 2020). According to Srivastava, Chaudhury, Bhat, and Sahu (2017), “Sexual harassment constitutes a gross violation of human right and women’s right to equality and dignity” (p. 112). The digression into discussing sexual violence, harassment, and misconduct in the media is a benefit of #MeToo, as it opens the discussion to describe the many ways misogyny can fester in the modern world. Bringing all forms of sexual violence to public awareness is the first step in teaching people of all gender identities that violent behavior should not be tolerated.

The #MeToo movement is important for victims and survivors of all genders, and encourages people to speak out about sexual violence, as well as sexually inappropriate behavior. The media is a tool to popularize the movement by reporting on celebrities both alleged as the victim and perpetrator, to demonstrate everyone is affected by this issue regardless of status or success. Yet, the media’s large shift from mainly reporting on college cases to celebrities and people in positions of power begs the question of motivation of reporting: Is this shift in reporting coming from a place of wanting to let victims tell their story or is it a chance to capitalize on celebrity? Regardless of motivation, the fact that people in positions of power were discussed more often in 2018, along with those discussions focusing on inherent power dynamics, is beneficial for the #MeToo movement longevity and scope. Specifically, such reporting brings awareness to potential victims or bystanders and normalizes reporting sexual violence in all forms. Furthermore, increased media attention to the problem of sexual violence

has the potential to prevent future perpetration by furthering public awareness that sexual violence is a problem and that perpetration comes with negative social stigma.

Another consideration is the types of stories shared. Almost all the victims that were widely shared and publicized in 2018 were affluent white women, and as described above many were celebrities. Stories about women of color, women in poverty, or women with disabilities were not given the same attention by the mass media sources analyzed in this review. The media's history of perpetuating oppression through the minimization of suffering for disenfranchised groups is well documented (DiBennardo, 2018; Isaacs & Mthembu, 2018; Nwabueze & Oduah, 2015). Perhaps this bias in the #MeToo movement is best exemplified by the sheer fact that the phrase "Me Too" was created by Tarana Burke, an activist and a woman of color; however, the movement was only sensationalized when an actress, Alyssa Milano, tweeted #MeToo (Phipps, 2020). Excluding the stories of people of color, people in poverty, and disabled people is a critical shortcoming of the #MeToo movement. Research shows black women disproportionately experience sexual violence and harassment (Barlow, 2020), and the risk only heightens in intersection with poverty and disability (Martin, 2019). The racism, classism, and ableism that pervades the #MeToo movement reflects in what and who the media chooses to feature and chooses to exclude. It is important to acknowledge the #MeToo movement follows historical patterns of other social movements (Johnson & Renderos, 2020), especially those of white women, that work to benefit a certain population rather than to dismantle patriarchal structures that perpetuate sexism more generally.

An unexpected finding from the current study was that the media articles extracted did not appear to be propagating rape myth narratives. Based on extant literature, this researcher assumed the positive and negative attributes of victims and perpetrators in each news article

would perpetuate pervasive rape myths such as what the victim was wearing, in order to implicate the victim's responsibility in their own assault or harassment (Hocking, Smith, Klausning, & Saucier, 2016). However, positive attributes were increasingly discussed in 2018 in comparison to 2014, which could be a result of better consideration for objectivity. The discussion of perpetrator positive attributes remained high for both 2014 and 2018, whereas in comparison the victim positive attributes remain relatively low in 2018 and virtually non-existent in 2014 (with the exception of some left-leaning sources such as CNN and ABC). Most likely the consistency of perpetrator positive attributes is because the alleged perpetrator is a powerful person in their industry, career, or sport. In 2014 this would be mainly college athletes, and in 2018 it was celebrities, producers, and politicians. For instance, in 2018 most articles certainly did not seem to be exonerating Harvey Weinstein, however they would still list his achievements as a producer. Most of the positive attributes extracted from articles (if extracted at all) pertained to the victim's credibility (i.e. had a rape kit, other employees or managers corroborated), whereas some certainly said why the perpetrator was credible but also their achievements, their work as a feminist, or scholarly awards. Although listing the perpetrator's impressive accomplishments could be construed as describing them and their background, it is noteworthy that the victim's accomplishments were not nearly as discussed, including when the victim was another celebrity or influential figure.

Negative ramifications for victims and perpetrators did not display a clear consistency across 2014 and 2018 and seemed to be constrained to individual sources. Even so, this could be explained by the specific cases discussed in each article. For instance, in 2014, negative ramifications for perpetrators were mostly musing about possible problems they will face in the future. It is interesting to note the difference between victims and perpetrators' negative

ramifications discussed in both 2014 and 2018. In 2014, perpetrator's negative ramifications are framed along the lines of legacy, reputation, and harms to future aspirations. By contrast, for victims in the same year, the articles differentially focused on physical injury or mental health. However, 2018 demonstrated an increase for negative ramifications for both victims and perpetrators. This increase in 2018 makes sense as perpetrators, in much larger numbers, were stepping down or being removed from their position in response to allegations. Even though there are multiple explanations for inconsistent differences between 2014 and 2018, there is still an effect the #MeToo movement had, especially for perpetrator negative ramifications.

Perhaps one of the more important key findings were changes in article biases, the articles went from being scattered along perpetrator centered and objective to a large increase in objectively reported articles. The #MeToo movement was intended to spread the idea of believing survivors (Akel, 2018). In order for the public to trust the reported information, media outlets need to be objective in their reporting. If it is clear the perpetrator is guilty or the victim may be misconstruing facts, that should be apparent from the case itself, not because the media omits facts or glosses over information. Therefore, it is a benefit to victims, survivors, and sexual violence activists that the media was shown to have a measurable difference in their objectivity in 2018.

Limitations

It is important for the reader to consider this study in light of its potential limitations. The study was performed by one researcher extracting quotes straight from the articles themselves. While the researcher strived for objectivity in this task, the researcher's identity as a female advocate for survivors of sexual violence could potentially create a bias in what was extracted, or how quotes were categorized. The researcher guarded against this innate bias by having multiple

experts in the sexual and familial violence field look over the extraction form, along with utilizing a mentor and thesis advisor throughout the collection and writing process to address any potential concerns.

Another possible limitation of this study is that in order to gain a variety of cases, only one article per case was discussed. For instance, the Bill Cosby case came up several times in each source throughout the year 2014. The most recent article about the case was selected for inclusion in the current study in order to present the updated facts of the case. This was done so to ensure no single case dominated the discussion of the media's portrayal of sexual violence, and inherently limited this manuscript's discussion of one case over another. Given this manuscript's goal was to look holistically at media portrayal, this tactic was meant to guard against bias by ensuring all cases were looked at equally. However, it is true that the tactic also limited the discussion of some high-profile cases and may have omitted important case information provided over time.

Finally, although not a limitation, it is also important to note some sources included in the study did not publish as many pieces as others. For example, USA Today publishes every day in magazines, newspapers, and online publications causing it to have multitudes more data than the New Yorker which publishes much less frequently. This means while looking at the results, some of the sources may be more well-represented than others, and percentages should be looked with some caution. Notably, Fox News's website was utilized to find articles, the format of the website itself only allowed access to 150 results at a time with no option to load more. To guard against this bias, all tables and figures provide the number of articles in addition to the percentages, and the number of articles from each source is clearly stated. Hopefully, this data will allow readers the opportunity to draw their own conclusions from the data itself.

Implications

Despite these limitations, findings from the current study offer some important implications and next steps for research, media, and the #MeToo movement.

For Research

This study's results mirror those of past studies, such as those by DiBennardo (2018) and Isaacs and Mthembu (2018) wherein there were apparent double standards found in the media pertaining to cases of sexual violence. However, this study shows a path for growth in how sexual violence and harassment is discussed in the media. Although there were and still are problematic aspects to how the mainstream and local media discusses cases, the difference between 2014 and 2018 and the connection of the #MeToo movement, shows the media is reacting to these movements and attempting to change. This study contributes to a clearer understanding of positive growth in these discussions, along with areas that could still be improved upon. This study was intended to explore how the media discusses gender-based sexual violence and harassment, and the effect the #MeToo movement had on this discussion. The data supports that there is a clear difference, however a clearer answer could be found in further research. Further research could expand to more sources, such as radio and TV reports. Conversely it could also explore local news sources, and differences found in different locations around the country. Another possible route could be to interview people who report reading or watching the news sources utilized in this research, and polling their beliefs about rape culture, sexual violence, and the #MeToo movement to see the direct effect the media is having on the public's perception and beliefs.

For Media

The media was studied because it shapes how social movements are viewed and understood. It is hard to be aware of a systemic issue if no one ever deigns to give it a platform. However, in modern times it is impossible to ignore that many Americans now get their news from social media, and the mainstream media is now largely distrusted (Shearer, 2021). This is unfortunate, as social media sites are not designed to be able to filter out misinformation and propaganda, and those who only access news through social media are less likely to be engaged and to continually follow a story (Mitchell, Jurkowitz, Oliphant, & Shearer, 2020). Perhaps by growing less politicized and as objective as possible, Americans will go back to using news sources once again for their news. Making news sources more accessible is one way to ensure people are learning from unbiased, trustworthy news. Social media is completely free to use, and easy to share information deemed important. Similarly, many news sources seen as politicized are also free to the public and do not require subscription (e.g., CNN, Fox News). Importantly, other integral newspapers, still attempting to create an online presence, are not free to users (e.g., the New York Times , Washington Post). Implications of the public impact of news sources that are free versus those only accessible through a subscription or payment should be explored.

For the #MeToo Movement

There are many critiques of the #MeToo movement and its lack of representation (Abrams, 2018; Phipps, 2020). As discussed previously, these shortcomings not only undermine the movement, but have the potential to undermine victims or survivors as a whole. This research was solely focused on gender-based violence, but it would be remiss not to mention the inherent heterosexism in the #MeToo movement as LGBTQ people and transgender individuals in particular are not only are disproportionately affected by sexual violence, but also are at much higher rates for subsequent homicide, suicide, and prolonged trauma from inaccessibility and

mistreatment at trauma centers (VAWnet, 2020). This is a heightened sense of urgency which should be given much more space in the media, to be brought to public attention and finally removed as some sort of taboo subject.

The #MeToo movement was made into a phenomenon because of the accessibility of social media. Anyone could have a chance to share their story, and be comforted (along with horrified) by learning they are not alone and multitudes of individuals have shared these experiences. This was an encouragement to step out, and rid of any societal shame associated with disclosing. However, in order for a movement to be successful it must actively identify and remove the institutional barriers and structures that created these harmful societal norms in the first place. Speaking out about workplace and industry harassment is an important first step, but there must also be a great effort to amplify the voices that do not have the same privileges as famous white actresses such as Alyssa Milano. Only then will this movement benefit *all* victims and survivors.

Another popular criticism of the #MeToo movement was that it called for people to believe women, no matter what (Aggeler, 2017) and men's careers and reputation could now be completely dismantled because of an allegation (Akel, 2018). Notably this criticism is not supported by fact. Survivors rarely have any tangible reason to make false allegations, however perpetrators often have a reason to make a false denial. As Spohn, White, and Tellis (2014) displayed in their study on false allegations, the statistics for false reporting or allegations are extremely low. The #MeToo movement emphasized "believe women" (Hillstrom, 2018). The larger aim of the #MeToo movement was to empower anybody to be able to speak out about their trauma and be comfortable identifying themselves as a survivor. Through this, survivors are re-narrating their story as one as empowerment rather than victimization. Importantly, female

empowerment is not the same as condemning a perpetrator. Allegations of gender-based sexual violence have been long been minimized and nullified within the larger American social discourse in favor of protecting potential victims. Accordingly, it is revolutionary for women to find a platform to feel safe enough to speak out about their victimization and reclaim the defining role such victimization may play in their self-perceived agency. Such re-narration does not necessitate a “guilty party”. Rather, it necessitates a collective validation of a traumatic experience. Minimizing survivors’ stories through labeling them as accusations rather than a reclamation of their story displays ignorance of the widespread endemic of sexual violence women face.

Conclusion

Despite the shortcomings of the #MeToo movement, and a slighter change from 2014 to 2018 than expected, it is still encouraging to see a change. Patriarchal society, gender-based violence, and rape culture was not built in a day, it has been ongoing and strengthened through centuries of violence and trauma resulting in a culture that prevents justice through fear and stigma. However, any positive change in four short years demonstrates that change is possible. Victims, survivors, and allies must persist in fighting for justice through activism, research, awareness, and perseverance to continue society’s growth. A step, however small, is still a step in the right direction.

References

- Aggeler, M. (2017, December 4). Men Are Worried They Can't Hug Their Female Colleagues Anymore. Retrieved from <https://www.thecut.com/2017/12/men-are-worried-they-cant-hug-female-colleagues-anymore.html>.
- Akel, M. A. (2018). The Good, the Bad, and the Evils of the# MeToo Movement's Sexual Harassment Allegations in Today's Society: a Cautionary Tale Regarding the Cost of These Claims to the Victims, the Accused, and Beyond. *Cal. W. Int'l LJ*, 49, 103.
- Anderson, I., & Turner, B. (2017). *Sexual Violence and Rape*. Retrieved from <http://roar.uel.ac.uk/7561/1/9781118430873.est0334%20Sexual%20Violence%20and%20Rape.pdf>
- Australian Public Service Commission. (2018, June 12). Changing behaviour: A public policy perspective. Retrieved March 11, 2021, from <https://www.apsc.gov.au/changing-behaviour-public-policy-perspective>
- Barlow, J. N. (2020, February). Black women, the forgotten survivors of sexual assault. Retrieved from <https://www.apa.org/pi/about/newsletter/2020/02/black-women-sexual-assault>
- Bhatla, N. (2014). Consequences and Cost. *The fear that stalks: Gender-based violence in public spaces* (pp. 239-262). New Delhi: Zubaan.
- BJS. (2019, September 14). Criminal victimization, 2019. Retrieved from <https://www.bjs.gov/index.cfm?ty=pbdetail&iid=7046>
- De Benedictis, S., Orgad, S., & Rottenberg, C. (2019). #MeToo, popular feminism and the news: A content analysis of UK newspaper coverage. *European Journal of Cultural Studies*, 22(5–6), 718–738. <https://doi.org/10.1177/1367549419856831>

- DiBennardo, R. (2018). Ideal victims and monstrous offenders: How the news media represent sexual predators. *Socius*, 4, 237802311880251–. <https://doi.org/10.1177/2378023118802512>
- Gottfried, J., & Mitchell, A. (2020, August 28). Media Sources: Distinct Favorites Emerge on the Left and Right. Retrieved from <https://www.journalism.org/2014/10/21/section-1-media-sources-distinct-favorites-emerge-on-the-left-and-right/>
- Grigoriadis, V. (2017). *Blurred lines: rethinking sex, power, and consent on campus*. Houghton Mifflin Harcourt.
- Hillstrom, L. C. (2018). *The #metoo movement*. ProQuest Ebook Central <https://ebookcentral.proquest.com>
- Hirshman, L. (2019). *Reckoning: the epic battle against sexual abuse and harassment*. Houghton Mifflin Harcourt.
- Hockett, J. M., Smith, S. J., Klausning, C. D., & Saucier, D. A. (2016). Rape Myth Consistency and Gender Differences in Perceiving Rape Victims: A Meta-Analysis. *Violence Against Women*, 22(2), 139–167. <https://doi.org/10.1177/1077801215607359>
- Isaacs, D., & Mthembu, J. (2018). “I forgive him. It wasn’t easy for him”: social representations of perpetrators of intimate partner violence in the Western Cape Province media. *Critical Studies in Media Communication*, 35(5), 468–482. <https://doi.org/10.1080/15295036.2018.1501157>
- Johnson, H., Fisher, B., & Jaquier, V. (2015). *Critical issues on violence against women: international perspectives and promising strategies* (First edition). *Routledge*.
- Johnson, R., & Renderos, H. (2020). Invisible Populations and the #MeToo Movement. *Public Administration Review*, 80(6), 1123–1126. <https://doi.org/10.1111/puar.13209>

- Kearl, H. (2018, February). *The facts behind the #metoo movement: A national study on sexual harassment and assault*. Retrieved from <http://www.stopstreetharassment.org/wp-content/uploads/2018/01/Full-Report-2018-National-Study-on-Sexual-Harassment-and-Assault.pdf>
- Lonsway, K. A., Fitzgerald, L. F. (1994). Rape myths: In review. *Psychology of Women Quarterly*, 18, 133-164.
- Luhmann, N., & Cross, K. (2000). *The reality of the mass media*. Stanford University Press.
- Martin, H. (2019, April 2). Vulnerable populations affected by sexual violence. Retrieved March 11, 2021, from <https://www.umcno.org/blog/2019/april/vulnerable-populations-affected-by-sexual-violen/>
- McMahon, S. (2011, October). Changing perceptions of sexual violence over time. Retrieved from https://vawnet.org/sites/default/files/materials/files/2016-09/AR_ChangingPerceptions.pdf
- Mitchell, A., Jurkowitz, M., Oliphant, J., & Shearer, E. (2020, August 27). Americans who mainly get their news on social media are less Engaged, less knowledgeable. Retrieved from <https://www.journalism.org/2020/07/30/americans-who-mainly-get-their-news-on-social-media-are-less-engaged-less-knowledgeable/>
- Nwabueze, C., & Oduah, F. (2015, July 1). Media re-victimization of rape victims in a shame culture? Exploring the framing and representation of rape cases in nigerian dailies. *Global Media Journal.*, 13(24), 1–20. Retrieved from <https://www.globalmediajournal.com/open-access/media-revictimization-of-rape-victims-in-a-shame-culture-exploring-the-framing-and-representation-of-rape-cases-in-nigerian-dailies.php?aid=55026>
- O’Boyle, J., & Li, Q. (2019). MeToo is different for college students: Media framing of campus

- sexual assault, its causes, and proposed solutions. *Newspaper Research Journal*, 40(4), 431–450. <https://doi.org/10.1177/0739532919856127>
- Page, Shapiro, and Dempsey. (1987). What moves public opinion?. *American Political Science Review* 81: 23-44.
- RAINN. (2020). Key Terms and Phrases. Retrieved October 16, 2020, from <https://www.rainn.org/articles/key-terms-and-phrases>
- Rymel, L. (2004). What is the difference between rape and sexual assault? Retrieved March 27, 2021, from <https://www.ojp.gov/ncjrs/virtual-library/abstracts/what-difference-between-rape-and-sexual-assault>
- Shearer, E. (2021, January 12). 86% of Americans get news online from smartphone, computer or tablet. Retrieved from <https://www.pewresearch.org/fact-tank/2021/01/12/more-than-eight-in-ten-americans-get-news-from-digital-devices/>
- Smith, M. D. (2020). *Sexual harassment: A reference handbook*. ProQuest Ebook Central <https://ebookcentral.proquest.com>
- Solnit, R., & Calzada, P. (2017). *The mother of all questions*. Haymarket Books.
- Somerstein, R. (2019). 2018 was dubbed the year of the woman. you wouldn't know it from the pictures: When almost all the photos that news organizations dub iconic are taken by men, we're missing out on big stories. *The Washington Post*. Retrieved from https://unh.primo.exlibrisgroup.com/permalink/01USNH_UNH/1o8seis/cdi_proquest_miscellaneous_2168067306
- Spohn, C., White, C., & Tellis, K. (2014). Unfounding Sexual Assault: Examining the Decision to Unfound and Identifying False Reports. *Law & Society Review*, 48(1), 161–192. <https://doi.org/10.1111/lasr.12060>

Srivastava, K., Chaudhury, S., Bhat, P. S., & Sahu, S. (2017). Misogyny, feminism, and sexual harassment. *Industrial Psychiatry Journal*, 26(2), 111–113. Retrieved from https://doi-org.unh.idm.oclc.org/10.4103/ipj.ipj_32_18

The University of Iowa Libraries. (2020, July 16). Sexual Assault Awareness Month: Home. Retrieved October 16, 2020, from <https://guides.lib.uiowa.edu/c.php?g=911688>

United Nations. (2014, October). Sexual and gender-based violence in the context of transitional justice. Retrieved from https://www.ohchr.org/documents/issues/women/wrgs/onepages/sexual_and_gender-based_violence.pdf

VAWnet. (2020). Violence against trans and non-binary people. Retrieved from <https://vawnet.org/sc/serving-trans-and-non-binary-survivors-domestic-and-sexual-violence/violence-against-trans-and>

Zurawik, D. (2018, September 12). In the wake of Fager firing, CBS News looking as sexist, sick and predatory as Fox was. *The Baltimore Sun*. Retrieved from baltimoresun.com/opinion/columnists/zurawik/bs-fe-zontv-cbs-fager-metoo-20180912-story.html

Appendix A

Quantitative Extraction Form

	Label of Incident(s):	Identification, Status, or Career	Attributes	Negative Ramification	Bias
CNN (2014)	Rape/S. Assault: 66.7% (n=2)	College Student: 33.3% (n=1)	Pos. (v): 66.7% (n=2)	Victim: 66.7% (n=2) Perp.: 33.3% (n=1)	Victim: 66.7% (n=2)
	S. Harassment: 0% (n=0)	Celebrity: 66.7% (n=2)	Neg. (v): 66.7% (n=2)		Perp. 00.0% (n=x)
	S. Misconduct: 0% (n=0)	Position of Power: 0.0% (n=0)	Pos. (p): 33.3% (n=1)		Objective: 00.0% (n=x)
	Other: 33.3% (n=1)	Local/Other: 0.0% (n=0)	Neg. (p): 33.3% (n=1)		Other: 33.3% (n=1)
CNN (2018)	Rape/S. Assault: 75% (n=3)	College Student: 0% (n=0)	Pos.(v): 25% (n=1)	Victim: 25% (n=1) Perp.: 50% (n=2)	Victim: 25% (n=1)
	S. Harassment: 25% (n=1)	Celebrity: 50% (n=2)	Neg. (v): 25% (n=1)		Perp. 25% (n=1)
	S. Misconduct: 0% (n=0)	Position of Power: 25% (n=1)	Pos.(p): 100% (n=4)		Objective: 50% (n=2)
	Other: 0% (n=0)	Local/Other: 25% (n=1)	Neg. (p): 75% (n=3)		Other: 0% (n=0)
FOX (2014)	Rape/S. Assault: 100% (n=5)	College Student: 20% (n=1)	Pos. (v): 0% (n=0)	Victim: 40% (n=2) Perp.: 40% (n=2)	Victim: 20% (n=1)
	S. Harassment: 0% (n=0)	Celebrity: 60% (n=3)	Neg.(v): 40% (n=2)		Perp. 40% (n=2)
	S. Misconduct: 0% (n=0)	Position of Power: 0.0% (n=0)	Pos. (p): 40% (n=2)		Objective: 20% (n=1)
	Other: 0% (n=0)	Local/Other: 20% (n=1)	Neg. (p): 60% (n=3)		Other: 20% (n=1)
FOX (2018)	Rape/S. Assault: 20% (n=1)	College Student: 0% (n=0)	Pos. (v): 20% (n=1)	Victim: 60% (n=3) Perp.: 80% (n=4)	Victim: 0% (n=0)
	S. Harassment: 20% (n=1)	Celebrity: 80% (n=4)	Neg. (v): 60% (n=3)		Perpetrator 60% (n=3)
	S. Misconduct: 40% (n=2)	Position of Power: 20% (n=1)	Pos. (p): 80% (n=4)		Objective: 20% (n=1)
	Other: 20% (n=1)	Local/Other: 0.0% (n=0)	Neg. (p): 40% (n=2)		Other: 20% (n=1)
ABC (2014)	Rape/S. Assault: 100% (n=4)	College Student: 50% (n=2)	Pos. (v): 100% (n=4)	Victim: 25% (n=1) Perp.: 100% (n=4)	Victim: 0% (n=0)
	S. Harassment: 0% (n=0)	Celebrity: 25% (n=1)	Neg. (v): 25% (n=1)		Perp. 75% (n=3)
	S. Misconduct: 0% (n=0)	Position of Power: 0.0% (n=0)	Pos. (p): 50% (n=2)		Objective: 0% (n=0)
	Other: 0% (n=0)	Local/Other: 25% (n=1)	Neg. (p): 50% (n=2)		Other: 25% (n=1)
ABC (2018)	Rape/S. Assault: 80% (n=4)	College Student: 0% (n=0)	Pos. (v): 20% (n=1)	Victim: 40% (n=2) Perp.: 20% (n=1)	Victim: 40% (n=2)
	S. Harassment: 0% (n=0)	Celebrity: 60% (n=3)	Neg. (v): 60% (n=3)		Perp. 20% (n=1)
	S. Misconduct: 20% (n=1)	Position of Power: 20% (n=2)	Pos. (p): 80% (n=4)		Objective: 20% (n=1)
	Other: 0% (n=0)	Local/Other: 0.0% (n=0)	Neg. (p): 40% (n=2)		Other: 20% (n=1)
CBS (2014)	Rape/S. Assault: 80% (n=4)	College Student: 20% (n=1)	Pos. (v): 0% (n=0)	Victim: 0% (n=0) Perp.: 60% (n=3)	Victim: 0% (n=0)
	S. Harassment: 0% (n=0)	Celebrity: 40% (n=2)	Neg. (v): 40% (n=2)		Perp. 40% (n=2)
	S. Misconduct: 0% (n=0)	Position of Power: 0.0% (n=0)	Pos.(p): 40% (n=2)		Objective: 20% (n=1)
	Other: 20% (n=1)	Local/Other: 40% (n=2)	Neg. (p): 0% (n=0)		Other: 40% (n=2)
CBS (2018)	Rape/S. Assault: 66.7% (n=4)	College Student: 0% (n=1)	Pos. (v): 33.3% (n=2)	Victim: 33.3% (n=2) Perp. 83.3% (n=5)	Victim: 0% (n=0)
	S. Harassment: 0% (n=0)	Celebrity: 33.3% (n=2)	Neg. (v): 33.3% (n=2)		Perp. 33.3% (n=2)
	S. Misconduct: 16.7% (n=1)	Position of Power: 66.7% (n=4)	Pos. (p): 16.7% (n=1)		Objective: 50% (n=3)
	Other: 16.7% (n=1)	Local/Other: 0.0% (n=0)	Neg. (p): 16.7% (n=1)		Other: 16.7% (n=1)
New York Times (2014)	Rape/S. Assault: 80% (n=4)	College Student: 40% (n=2)	Pos.(v): 20% (n=1)	Victim: 20% (n=1) Perp. 80% (n=4)	Victim: 20% (n=1)
	S. Harassment: 20% (n=1)	Celebrity: 20% (n=1)	Neg.(v): 40% (n=2)		Perp. r 40% (n=2)
	S. Misconduct: 0% (n=0)	Position of Power: 20% (n=1)	Pos.(p): 80% (n=4)		Objective: 20% (n=1)
	Other: 0% (n=0)	Local/Other: 20% (n=1)	Neg. (p): 20% (n=1)		Other: 20% (n=1)
New York Times (2018)	Rape/S. Assault: 62.5% (n=5)	College Student: 0% (n=0)	Pos.(v): 62.5% (n=5)	Victim: 50% (n=4) Perp.: 37.5% (n=3)	Victim: 25% (n=2)
	S. Harassment: 25% (n=2)	Celebrity: 37.5% (n=3)	Neg. (v): 50% (n=4)		Perp. 0% (n=0)
	S. Misconduct: 12.5% (n=1)	Position of Power: 62.5% (n=5)	Pos. (p): 50% (n=4)		Objective: 50% (n=4)
	Other: 0% (n=0)	Local/Other: 0.0% (n=0)	Neg.(p): 50% (n=4)		Other: 25% (n=2)
Wall Street Journal (2014)	Rape/S. Assault: 80% (n=4)	College Student: 40% (n=2)	Pos. (v): 0% (n=0)	Victim: 20% (n=1) Perp. 80% (n=4)	Victim: 0% (n=0)
	S. Harassment: 20% (n=1)	Celebrity: 20% (n=1)	Neg. (v): 20% (n=1)		Perp. 20% (n=1)
	S. Misconduct: 0% (n=0)	Position of Power: 0.0% (n=0)	Pos. (p): 60% (n=3)		Objective: 40% (n=2)
	Other: 0% (n=0)	Local/Other: 40% (n=2)	Neg. (p): 20% (n=1)		Other: 40% (n=2)

Wall Street Journal (2018)	Rape/S. Assault: 57.1% (n=4) S. Harassment: 0% (n=0) S. Misconduct: 28.6% (n=2) Other: 14.3% (n=1)	College Student: 0% (n=0) Celebrity: 14.3% (n=1) Position of Power: 85.7% (n=6) Local/Other: 0.0% (n=0)	Pos. (v): 14.3% (n=1) Neg. (v): 42.9% (n=3) Pos. (p): 57.1% (n=4) Neg. (p): 14.3% (n=1)	Victim: 28.6% (n=2) Perp. 57.1% (n=4)	Victim: 14.3% (n=1) Perp. 14.3% (n=1) Objective: 71.4% (n=5) Other: 0% (n=0)
USA Today (2014)	Rape/S. Assault: 100% (n=6) S. Harassment: 0% (n=0) S. Misconduct: 0% (n=0) Other: 0% (n=0)	College Student: 33.3% (n=2) Celebrity: 50% (n=3) Position of Power: 0.0% (n=0) Local/Other: 16.7% (n=1)	Pos. (v): 66.7% (n=2) Neg. (v): 66.7% (n=2) Pos. (p): 33.3% (n=1) Neg. (p): 33.3% (n=1)	Victim: 50% (n=3) Perp. 50% (n=3)	Victim: 33.3% (n=2) Perp. 0% (n=0) Objective: 50% (n=3) Other: 16.7% (n=1)
USA Today (2018)	Rape/S. Assault: 72.7% (n=8) S. Harassment: 18.2% (n=2) S. Misconduct: 0% (n=0) Other: 9.1% (n=1)	College Student: 9.1% (n=1) Celebrity: 63.6% (n=7) Position of Power: 18.2% (n=2) Local/Other: 9.1% (n=1)	Pos. (v): 66.7% (n=4) Neg. (v): 33.3% (n=2) Pos. (p): 50% (n=3) Neg. (p): 66.7% (n=4)	Victim: 54.5% (n=6) Perp. 81.8% (n=9)	Victim: 18.2% (n=2) Perp. 18.2% (n=2) Objective: 54.5% (n=6) Other: 9.1% (n=1)
Washington Post (2014)	Rape/S. Assault: 100% (n=5) S. Harassment: 0% (n=0) S. Misconduct: 0% (n=0) Other: 0% (n=0)	College Student: 60% (n=3) Celebrity: 40% (n=2) Position of Power: 0.0% (n=0) Local/Other: 0.0% (n=0)	Pos. (v): 27.3% (n=3) Neg. (v): 72.7% (n=8) Pos. (p): 36.4% (n=4) Neg. (p): 36.4% (n=4)	Victim: 80% (n=4) Perp. 60% (n=3)	Victim: 60% (n=3) Perp. 0% (n=0) Objective: 20% (n=1) Other: 20% (n=1)
Washington Post (2018)	Rape/S. Assault: 100% (n=6) S. Harassment: 0% (n=0) S. Misconduct: 0% (n=0) Other: 0% (n=0)	College Student: 0.0% (n=0) Celebrity: 50% (n=3) Position of Power: 33.3% (n=2) Local/Other: 16.7% (n=1)	Pos. (v): 20% (n=1) Neg. (v): 20% (n=1) Pos. (p): 40% (n=2) Neg. (p): 40% (n=2)	Victim: 50% (n=3) Perp. 16.7% (n=1)	Victim: 0% (n=0) Perp. 33.3% (n=2) Objective: 66.7% (n=4) Other: 0% (n=0)
New Yorker (2014)	Rape/S. Assault: 0% (n=0) S. Harassment: 0% (n=0) S. Misconduct: 0% (n=0) Other: 100% (n=2)	College Student: 50% (n=1) Celebrity: 0.0% (n=0) Position of Power: 50% (n=1) Local/Other: 0.0% (n=0)	Pos. (v): 50% (n=1) Neg. (v): 0% (n=0) Pos. (p): 50% (n=1) Neg. (p): 50% (n=1)	Victim: 0% (n=0) Perp. 100% (n=2)	Victim: 50% (n=1) Perp. 0% (n=0) Objective: 0% (n=0) Other: 50% (n=1)
New Yorker (2018)	Rape/S. Assault: 100% (n=2) S. Harassment: 0% (n=0) S. Misconduct: 0% (n=0) Other: 0% (n=0)	College Student: 0.0% (n=0) Celebrity: 0.0% (n=0) Position of Power: 50% (n=1) Local/Other: 50% (n=1)	Pos. (v): 0% (n=0) Neg. (v): 0% (n=0) Pos. (p): 0% (n=0) Neg. (p): 0% (n=0)	Victim: 100% (n=2) Perp. 0% (n=0)	Victim: 50% (n=1) Perp. 0% (n=0) Objective: 0% (n=0) Other: 50% (n=1)
Boston Globe (2014)	Rape/S. Assault: 80% (n=4) S. Harassment: 0% (n=0) S. Misconduct: 0% (n=0) Other: 20% (n=1)	College Student: 40% (n=2) Celebrity: 20% (n=1) Position of Power: 0.0% (n=0) Local/Other: 40% (n=2)	Pos. (v): 20% (n=1) Neg. (v): 20% (n=1) Pos. (p): 80% (n=4) Neg. (p): 0% (n=0)	Victim: 40% (n=2) Perp. 20% (n=1)	Victim: 0% (n=1) Perp. 0% (n=1) Objective: 60% (n=3) Other: 40% (n=2)
Boston Globe (2018)	Rape/S. Assault: 50% (n=4) S. Harassment: 0% (n=0) S. Misconduct: 25% (n=2) Other: 25% (n=2)	College Student: 0% (n=0) Celebrity: 37.5% (n=3) Position of Power: 50% (n=4) Local/Other: 12.5% (n=1)	Pos. (v): 12.5% (n=1) Neg. (v): 12.5% (n=1) Pos. (p): 37.5% (n=3) Neg. (p): 37.5% (n=3)	Victim: 37.5% (n=3) Perp. 87.5% (n=7)	Victim: 12.5% (n=1) Perp. 12.5% (n=1) Objective: 62.5% (n=5) Other: 12.5% (n=1)

Appendix B

		Label of Incident(s):	V	Career classification	Positive Attributes:	Negative Attributes:	Negative Ramification	P	Career classification	Positive Attributes	Negative Attributes:	Negative Ramification	Victim-Centered	Perp. Centered	Neither / Other / Unbiased
CNN (Neutral, Skews Left)															
	“Rolling Stone’ Editors Reviewing What Went Wrong, The Many Hats of Al Sharpton”	“A rape on campus... a gang rape...” “allegedly sexually assaulted”		“[two years prior was a] freshman”		“The writer only got Jackie’s side of the story... there are now big questions about the accuracy of Jackie’s account”			“not have actually been a member of the fraternity”						“It’s difficult to tell in the end what happens inside a locked room, but it’s important to speak to everybody who may have been inside that room”
	“Bill Cosby Accusers Speak Out”	“Sex assault allegations” “allegedly drugs and rapes...”		“high-profile reality star... the original supermodel”; “Wife of the incredible Hulk”	“when you hear a detail of that nature, it has a ring of truth to it. It’s very difficult to make up that type of a detail” “there’s no way to escape the reality that at least some of these stories are true...”		“I have been living in silence and fear and shame for 17 years as it was.”		Comedian	“Dr. Huxtable, after all, the most influential man in the country”		“the camp of America’s dad, Bill Cosby, reeling after a brand-new round of allegations of sex assault” “something that’s going to, of course, do great harm to Bill Cosby’s legacy”	Only interviewed alleged victims		
	“Dylan Farrow’s Story”	“molested her for years”			“[The Yale group of shrinks] destroyed their notes, and they would not allow all of their information to be shown to the court. And the judge himself said, I don’t have faith in the group of experts”	“she couldn’t distinguish fact from fantasy, and two that she was probably coached”	“That he got away with what he did to me haunted me as I grew up. I was stricken with guilt that I had allowed him to be near other little girls”		“Show biz icon”		“he’s got a track record... who he apparently isolated... and ‘married’ after dating — dating — his minor daughter”	None	Titled “Dylan Farrow’s story”		

Fox News (Right)	"Is it Legal?"	Rape case, "she said no, Laura. She said no repeatedly. That is rape"	Dallas teenager		"State District Judge Jeanine Howard ... [told] the Dallas Morning News that the light punishment was, in part, because the girl wasn't a virgin, saying she quote, 'wasn't the victim she claimed to be'"	"won't be expunged from this girl's record, I guess her mental record"	"fellow classmate"		"admitted to the rape"	45 days and "5-year probation adjudication"; put in a rape counseling center as a hotline operator			"she has been victimized again by the judge whose job was to levy justice"
"College Rape Story Retraction"	"Rolling Stone" magazine misreported a story whereby some fraternity kids at the University of Virginia were accused of gang rape";	UVA student		"Her friends believed it. The rape activists on campus believed it. She spoke at the rape activist seminars. So what? That doesn't mean anything. That proves nothing "; "This undermines those terrible claims... because of that boy who cried wolf thing" "[Rolling stone has] made [Jackie] a national laughing stock"									"But you have to understand the narrative that's developing now... now, America hates women and it's open season to rape them all... the far left wants to tear the fabric of the country down"
"Indictment: New Hampshire suspect destroyed evidence of kidnap, sex assault of teenager"	"sexually assaulted"						"worked as a machinist at two gun makers"		"has a criminal history dating back to 1998"				Just reported facts of case

	"Is Bill Cosby a Somnophiliac?"	"sexual assault"							"has never been criminally charged stemming from any of the sex-abuse allegations"	"I think [allegedly] using roofies to drug people is definitely one step removed from being. Direct somnophiliac"	"he is a somnophiliac who also suffers from a serious need to dominate and control other people"; "people take incredible risks when they have compulsions or obsessions... he gambled it all — his career and legacy — and he lost"		"I would love to have him on the couch to explore how some of his early childhood behavior led to this need to [allegedly] dominate women and the difficulty with intimacy"
	"Man Accused of Rape at Alcohol-fueled Keith Urban Concert"	"rape" "alleged assault"							"no criminal history whatsoever"				"this was a consensual act, not a sexual assault... there are no allegations of force or violence against him. This was a private act that regrettably occurred in a public place"
ABC (Neutral)													
	"Heisman Winner in the Hot Seat"	[Jameis Winston's] in the hot seat again this morning facing a Florida State university conduct hearing over sexual assault allegations"		"the courageous woman finally gets a chance to stand up for herself"	"when he hears her multiple lies and Jameis' truth, [the judge] will find as every other entity has to this point, that she is lying"; "the police had said that she actually didn't cooperate in the criminal investigation"			Florida State Football superstar, sophomore	"two football players who earlier claimed they saw Winston and his accuser having consensual sex reportedly refused to testify"	"the alleged sexual assault scandal... could put his college football career in jeopardy"		"A decision might not be handed down for 10 school days. Now with winter break coming, that could be after the NCAA championship game"	
	"UVA Sexual Assault Scandal"	"gang raped at a frat house on campus"	"then a UVA freshman"	"I believe wholeheartedly that she went through a traumatizing sexual assault"						UVA suspended its Greek system		"and that school has had such a difficult year"	

	“Cosby Rape Allegation”	“Rape allegations” “sexual assault”		“former actress”	“Cosby denied accusations by other alleged victims, but has not yet commented on the claims made by Bowman”		“hid in silence for years out of fear and shame”		“Legendary comedian”	“Cosby has never been prosecuted”		“Rape allegations are coming back to haunt him”		“Such a tough story. A beloved figure now facing really hard charges”
	“When the Party’s Over”	“Maryville Rape Case”; “highschool he said/she said”; “two teens facing tough repercussions for a night of mistakes”		High school freshman, “now a junior at a new high school”	“A critical point in the investigation... in Missouri, a 14-year-old girl cannot consent to sex if she is incapacitated”; “Paige, who was waiting in another room, describes ... Daisy as completely wasted and couldn’t even walk”		“Daisy had been abandoned on the lawn for almost three hours”; “Daisy’s life began to completely unravel. She was suspended from cheerleading after admitting to drinking and was bullied at school... things got so bad the Colemans say they were forced to move”		Senior high school football player	“she might not remember, but Matt does”		“Mr. Barnett pled guilty to endangering the welfare of a child in the second degree... there was insufficient evidence to go forward on a sexual assault”		“Those new tapes you just heard were all about the timing of the drinking. Are you persuaded by the tapes? Do you think that the football player is telling the truth?... Let us know at hashtag #ABC2020”
CBS (Neutral)														
	“The Politically Charged Sexual Abuse Trial of Brigadier General Jeffrey Sinclair”	"sexual assault", “accused of forcing his mistress to perform oral sex, threatening to kill her family, and performing sex acts with her in public areas”							“Deputy commander of the 82nd Airborne”	“Sinclair’s wife Rebecca, said on CBS This Morning in November, 2012, she would stand by him”		“After pleading guilty to numerous instances of conduct on becoming an officer, his future is not nearly as bright”; “Sinclair could still get prison time but will not have to register as a sex offender”		Using the term “mistress” to refer to the woman in the same sentence as “forced oral sex”...

<p>“Columbia to Scrutinize Rolling Stone Rape Article”</p>	<p>“gang rape”; “raped by seven men at a fraternity party”</p>	<p>Student at UVA</p>			<p>“two weeks after the story was published, the narrative started to crumble... the reporter, Sabrina Rubin Elderly, had relied almost entirely on Jackie’s account”; “other key details have been debunked or questioned by The Washington Post and other news media organizations”</p>		<p>Were never contacted</p>		<p>“explosive account led the university to suspend the fraternity’s operations and helped drive a discussion about the failure to address sexual violence on college campuses”</p>		<p>“Critics have written that the Rolling Stone’s editors acted irresponsibly, and women’s rights advocates have said the controversy will discourage rape victims from coming forward”</p>
<p>“Wife of Bill Cosby Places Fault with News Media”</p>	<p>“sexually assaulted”; “raped or groped after being drugged by him”</p>				<p>“there appears to be no vetting of my husband’s accuser’s before stories are published or aired”</p>	<p>Comedian</p>	<p>“the man portrayed in recent accounts is not the ‘wonderful husband’ whom she still loves”; “it is also a portrait painted by individuals and organizations whom many in the media have given a pass”</p>		<p>“a number of concert sites have canceled his performances and some universities have distanced themselves, most recently Spelman College... it was suspending its endowed Professorship with Mr. Cosby”</p>		<p>“None of us will ever want to be in the position of attacking a victim. But the question should be asked: Who is the victim?”</p>
<p>“On the Narrow Path to a 2nd Heisman, Winston Stumbled”</p>	<p>“accused of raping another student in 2012”</p>	<p>Another student</p>				<p>Florida state football player</p>	<p>“completed more than 65% of his passes and threw for 24 touchdowns for Florida state... including an electric 28-yard score in the opening game of the season”</p>		<p>“Winston snub [of Heisman trophy]”</p>		<p>“The accumulating suspicion — it really is a dilemma for [Heisman] voters’ Hammel said, ‘It’s really hard to make that judgement that that is what happened because, who knows?’”</p>

	“Yale Medical School Removes Doctor After Sexual Harassment Finding”	“sexual harassment”	Postdoctoral researcher			Left Yale... “her husband, Dr. Frank Giordano, who remains at Yale, said Dr. Simons froze his professional advancement”	doctor, Director of Yale Medical School’s cardiovascular Research Center		“When a professor complained to him about still another professor who had sexually harassed a postdoctoral fellow, the dean responded, ‘What can I do? He has two grants’”	“removal... effective immediately”	“nobody tells anybody because they just assume that the dean, the department chair and the division chiefs don’t care...” ... “Dr. Giordano’s pending complaints, and some faculty comments, paint the picture of an environment in which those who bring in research dollars are not subject to the regular rules”		
	“Letter to Manhattan District Attorney Details Rape Allegation Against a Defense Lawyer”	“third-degree rape”		“her rape kit and examination were consistent with sexual assault”			Prominent Lawyer	“a career of police brutality and civil rights cases that have won his clients tens of millions of dollars”					Unbiased
	Wall Street Journal (Neutral)												
	“Army Suspends Prosecutor for Alleged Harassment”	“groping a female soldier at a sexual-assault conference”; “alleged harassment”	member of U.S. army				“Oversaw the work of about two dozen attorneys who work with special-victim prosecutors and handle sexual assault and domestic abuse cases, as well as crimes against children”			“the U.S. army... has suspended a top prosecutor... over allegations of groping a female soldier at a sexual-assault conference”		“Under criticism for how it handled sexual assault cases, the military has been encouraging women to come forward and report assaults”	
	“Jameis Winston Accuser: My Life was Turned Upside Down”	“sexually assault[ed]”	Has since enrolled at another college		“I do not find the credibility of one story substantially stronger than the other”	“forced to leave Florida state... and was the subject of death threats”	Quarterback at Florida State	“led the Seminoles to a 27-0 record over the past two years and last season’s national champions hip”; “he also presented himself as					Unbiased

									a victim of false accusations and a campaign to vilify him					
	“Rolling Stone Says Columbia Will Investigate Rape Article; Journalism School Will Review Editorial Steps of Now-Tarnished Story”	“alleged rape at a University of Virginia fraternity house”; “gang rape”									Suspending all greek activities until January 9th			“UVA had been the victim of a ‘massive failure of journalistic ethics’... ‘experienced the full fury of drive-by journalism in the 21st century, of callous indifference to the truth and callous indifference to the consequences”
	“Netflix Shelves Bill Cosby Special; Move Follows Latest Sexual-assault Accusations Against Comedian”	“Mr. Cosby has been dogged by accusations of sexual assault for several years”	Woman; Television personality and former model				Comedian	“decade-old, discredited allegations against Mr. Cosby have resurfaced. The fact that they are being repeated does not make them true”		“Netflix Inc. has pulled the plug on a Bill Cosby special”			shows that are dropping Bill Cosby	
	“Officers Face Assault Charges; officers arrested after atlantic city attack”	“sexual assault”					“New York Police Department Officer”; “New York State Police Trooper”	“Thomas... turned himself in to authorities Tuesday night”	“He’s innocent. He didn’t engage in any criminal wrongdoing... He’s a good officer”	“Both Mr. Torres and Mr. Thomas have been suspended”			Unbiased	
USA Today: (Skews Left)														
	“Did U.Va. Abandon Victims of Rape?”	“alleged gang rape at a University of Virginia fraternity house”	female student					“U.Va. officials eventually told [Jackie] that ‘all the boys involved have graduated’. This meant the case was no longer in the university’s hands...”			“U.Va. has (asked) police to investigate the 2012 rape allegations ... and temporarily (suspended) all campus fraternity activities”; “to take [Greek Life] away from so many good kids because a few kids choose to be bad is unfair”	“The story reveals a campus culture in which fraternity houses are widely known as places where girls, especially freshman girls (who are too young to get into bars) are invited inside, gotten drunk and bedded”		
	“Cosby Rape Allegations”	“rape allegations”;						“If a woman was raped, she	“People are going to believe what they	“Cosby stayed silent during an	“NBC dropped plans for a sitcom		Quotes from 6 people either	

	Prompt More Questions				shouldn't wait decades to bring it up. Someone need money or attention to accuse a 77-year-old man of rape"			want, with, or without the facts. Why feed the flames?"	NPR interview when asked about the accusations. It doesn't look good when a man will not publicly defend his good name"	with Bill Cosby";			supporting or against Cosby
	"When Rape Strikes Close to Home"	"rape"; "Nearly one in five women and one in 71 men report experiencing rape at some point in their lives... In 2012 I learned my baby girl was one of them"; "sexual abuse"	Dean's list scholar at Northwestern University majoring in linguistics; Woody Allen's daughter	[about Farrow] "to me, her words rang true"		"forced to keep it inside and allow it to fester and eat away at them"	Director				Writing about daughter's sexual assault, connecting it to Dylan Farrow's story: "Who knows whether abuse occurred in Dylan Farrow's case, whether at the hands of a dotting father or as a story planted by a vengeful mother? What mother could imagine such a script for her child?"		
	"FSU's Winston Actions Under Scrutiny"	"raped"	FSU student	"consistently been willing to cooperate and assist. University investigation"	"[victim's lawyer's] representations to USA Today about our treatment of his client are flat-out false"	"left the school in November after the police investigation dominated headlines and she became the target of death threats on social media"	Heisman trophy favorite, FSU quarterback		"Winston was never interviewed by Tallahassee police or the state attorney. He did not cooperate with FSU officials in the January meeting"				About the school's conduct. "A school should no confit a pre-hearing meeting during which only the alleged perpetrator is present and given an opportunity to present his or her side of the story, unless a similar meeting takes place with the complainant"
	"Rape Civil Suit Filed vs. Simon"	"raped"; "sodomized"		"a rape kit taken that morning revealed anal tears, abrasions, and protruding tissue"			Cincinnati Reds pitcher	"the U.S. attorney declined to file charges against Simon"	"Simon was previously acquitted of an involuntary manslaughter charge"				Unbiased

	“Rape Suspect Was Women’s Advocate”				“A swab taken from the alleged victim during her exam showed the presence of Sharper’s DNA”			Former NFL star	“Darren Sharper once felt so strongly about violence against women that he wrote an essay about it for a book in 2010”	“Sharper is under investigation in seven rapes and 11 druggings in four states”	“It is a potentially stunning downfall for a former star NFL player who has a history of advocating for women’s health and safety”			Unbiased, but leans towards evidence that he is guilty
The Washington Post (Left)														
	“Winston Case a Sad Display of Favouritism”	Rape			“she went to the police on the night in question, submitted herself to a rape kit at a hospital and faced repeated questioning over the past two years”		“...since Florida State’s pally cops robbed her of a proper criminal inquiry, back when she was an 18-year-old, first-semester freshman dreaming up this supposed scam against a player who had yet to appear in a game and whose name she didn’t uyet know”	Florida state quarterback		“hasn’t been found innocent.” ; “refused to be interviewed by police or university officials and has never been seriously cross-examined by any authority ... Winston also refused to testify in his own student hearing”	“Winston’s accuser followed through on every investigative and adjudication process and opened herself to cross-examination, no matter how difficult. Winston evaded it at every stage - with a lot of campus help”			“What [Winston’s] farcical, two-years-after-the-fact student conduct hearing really found was that too many football-friendly investigators had bungled things too well - and too much time had passed - to get at the truth of whether he forced himself on an un-consenting young woman... While there was no campus verdict on whether Winston committed rape, the verdict on Florida State is in: It’s crony heaven for guys in cleats”
	“U.Va. Rector: Rape Article was a ‘Drive-by Assault’”	Alleged gang rape; rape allegation							“The fraternity has denied the allegation, saying that no social event was held at the house that weekend”		“The [fraternity house where the alleged incident occurred] was vandalized after the article was published, and its members were vilified”			Describes how U.Va is bolstering awareness efforts as well as physical safety improvements to campus. Does not describe alleged victim or perpetrators or incident.

	“Woman Files Federal Defamation Suit Against Cosby”	Sexual assault;				“[Bill Cosby’s] public denials - and those of his lawyers and publicists - have unfairly painted her as a liar” ; “the denials ‘impugned Plaintiff Green’s reputation, and tended to expose [her] to public contempt, ridicule, aversion, or disgrace”	Comedian			“Cosby is also being sued by another of his alleged victims”	Article is about the victim		
	“Kesha Files Lawsuit Alleging Sex Abuse”	“Sexual assault, battery, and emotional distress”	Platinum-selling pop star		“Dr. Luke holds that their dispute is simply about money. His complaint claims that Kesha and her mother, Pebe Sebert... to get out of the contract”	“Kesha claims that Dr. Luke ‘sexually, physically, verbally and emotionally abused’ her over the past decade, ‘to the point where [she] nearly lost her life’”	“global hit-maker”	Dr. Luke “became known as a go-to beat-maker for the era’s dominant pop divas... he has been nominated for several Grammys”					Unbiased
	“Stanford Assault Victim Seeks Tougher Sanctions”		Stanford senior, majoring in English			“Stanford did not expel the man who raped me” ; “the trauma of the attack and the intensive hearing process derailed her own plan to graduate with her class”	Senior		“a Stanford panel found the young man responsible for sexual assault, sexual misconduct, and violating the Stanford code of conduct”	“his suspension would not begin until after his June 15 graduation and that he would be able to return to Stanford for graduate school in 2015”	Also about how “campus sexual assault victims are demanding that their universities do more to prevent such attacks and get assailants off campus”		
The New Yorker (Left)	“Matters of Privacy”	Domestic-violence case					“Mark Fuller is a federal judge. He has occupied his position on the U.S. District Court for the Middle District of Alabama since 2002, when President George W. Bush	“Fuller has a national reputation as a result of having presided over the controversial bribery trial of the former Alabama governor Don Siegelman, a Democrat”		“many leading politicians... have now called for [Fuller’s] resignation”			“In the case of domestic violence, privacy carries an unfortunate set of implications : for a long time, privacy and the sanctity of the home were ideas that stood in the way of treating an assault on an intimate partner as a crime” ;

								appointed him”						about domestic violence as a whole and its decline due to awareness efforts and economic independence of women
	“Beleaguered League”	“appalling act of violence”		Caught on camera				Baltimore Ravens Running back		Caught on camera	“leniency with Rice, in the form of a two-game suspension”	“there ought to be no room in public life for a man who carries out such an act, and no pleasure derived from watching him put such strength to less harmful use”; “Goodell announced last week that the N.F.L. will earmark some of its profits to help fund abuse hot lines”	About the N.F.L.; “[Goodell] has seemed to suggest that football’s challenges are behavioral rather than institutional”	
Boston Globe (Left)														
	“Uber Driver Held Without Bail in Sexual Assault Case: Man, 46, Faces Multiple Charges in Alleged Attack”	Sexual assault; “charges of rape, assault to rape, kidnapping, and assault and battery”						Uber Driver			“[Done] passed a background check that included court records, driving history, and social security traces going back seven years”; “officials said Done had no criminal record”			“This reported incident is a reminder that people need to be more alert than ever when taking any kind of public transportation... the age-old wisdom still applies: know who is taking you and where; and act on your instincts to get away if you have any feeling at all that a situation seems suspicious”
	“Brutality Alleged in NH Kidnapping: Suspect Faces 205 Counts”	“N.H. kidnapping”					“the charges ‘make you want to cry’... ‘she’s got her life to live”							
	“Public isn’t Deceived by	Alleged gang rape	UVA Freshman		“Erdely... had taken Jackie’s horrific									“the best journalism happens when we,

	‘Unbiased’ Journalism”				accusations on faith, never contacting the alleged rapists for a comment or response”										purposely, stop pretending that we are neutral and recognize that we have a moral obligation to tell truth to power”; “a brutal and callous ‘rape culture’ pervades American College campuses — above mundane details of fact”
	“Woman Files Defamation Lawsuit Against Bill Cosby in Springfield”	Sexually assaulted	Aspiring model	“Green was one of a dozen women who were prepared to testify in Constand’s lawsuit”		“[Cosby] ‘publicly branded’ her a liar though statements made by his lawyer and publicist”		Comedian	“Cosby has never been charged in connection with any sexual assault allegations”						Unbiased
	“Stought on Man Charged in Massoit College Assault”	“Indecent assault and battery on a person 14 or older, assault and battery, and accusing a person of the opposite sex”	Student					First year in Massasoit Community College			“college is in process of sending him an interim suspension letter”				

2018

	Label of Incident(s):	V	Career/ classification	Positive Attributes	Negative Attributes	Negative Ramification	P	Career Classification	Positive Attributes	Negative Attributes: Ex. lack of credibility?	Negative Ramification	Victim-Centered	Perp-Centered	Neither / Other / Unbiased
CNN (Left)														
	“Crime and Justice with Ashleigh Banfield”	“two separate sexual assaults”							“described as, quote, a ladies man and a nice guy”	“I want to put up his rap sheet, because it goes on and on”; “a menace to society... clearly has a penchant for violence”				“this is one of the classic cases where we talk about a disconnect between [police] departments”; never definitively said they thought he was guilty, but heavily implied they do not think he is innocent.

<p>“New Kavanaugh Accuser, Julie Swetnick, Details Parties Where Girls Allegedly Were Drugged and Raped”</p>	<p>Allegedly assaulted ; “this has become a he said-she said”</p>			<p>“that third accuser’s lawyer, the low life, Michael Avenatti” ; “we have had accusation , after accusation , and accusation . Very few of them are of any corroborated” ; “I look at what I’d like to see is evidence. And so far the people that he named refute her claims” ; “and so you could have 50 accusations. If you don’t have some evidence, it seems to me that it’s just a smear job”</p>		<p>Supreme Court nominee</p>	<p>“64 high school friends of Kavanaugh signed a letter saying that no such thing happened at any of their high school parties”</p>		<p>“If you’re going to destroy a man and humiliate his wife and children, I’d like to see some real evidence” ; “if he is confirmed, he has that cloud hanging over his head, so how do you change that?”</p>	<p>“The Clarence Thomas thing, people now refer to him as a predator. Even if you believe Anita Hill which most American people did not at the time, he was not accused of predatory behavior...” No one has proved anything but in the culture, he’s stuck with this”</p>	<p>“and she’s not just a woman. This is a prosecutor with years of experience ... so she has a very particular area of expertise aside from her gender”</p>
<p>“Does Aziz Ansari Signal an End of the #MeToo Movement ?”</p>	<p>Sexual encounter</p>			<p>“where is a woman’s agency in these sexual encounters ? ... Let’s believe women, let’s listen to victims, but let’s be clear about separating bad sex from violence and inept lovers from predators”</p>	<p>“The Ansari case could well mark the unofficial end of the #MeToo movement”</p>	<p>Celebrity, actor</p>	<p>He “made sure to note that he ‘continues to support the movement happening in our culture’. Ansari seems not to realize that he’s no longer in that movement but on the outside of it, its latest target”</p>	<p>“Ansari comes off as aggressively in pursuit of sex”</p>		<p>“It’s been a concern for some time that the #MeToo movement has been in danger of becoming a witch hunt”</p>	
<p>“Missouri Governor Greitans Accused of Violence, Sexual Assault, Blackmail : What to Know”</p>	<p>Sexual misconduct scandal</p>		<p>“The lawmakers said they found the woman to be an ‘overall credible witness’”</p>	<p>“the couple, not publicly identified, have since divorced” ; “I was definitely fearful. I was so embarrassed and ashamed, because I really felt like a whore because I had let him get me in this position before we’ve even kissed”</p>		<p>Missouri Governor</p>	<p>Media reports alleged Greitens’ campaign had obtained and used a charity donor list in 2015 as it ramped up fundraising for his gubernatorial bid”</p>	<p>“Will resign”</p>			

	“Ryan Seacrest Fights Sexual Misconduct Claims as Fellow ABC Star Calls For Him to Skip The Oscars”	allegations of sexual misconduct		Former longtime personal stylist		“Variety didn’t speak with me or bother to speak with other credible witnesses or even ask for any of the evidence that was obtained during the investigation when offered, all of which clearly challenged the veracity of the claims made against me”	“fired in 2013 after making graphic complaints of harassment to E’s Human Resources department”		Host	“those accusations were then investigated by an independent third-party over the course of a two-month process and involved dozens of interviews... Ultimately, my name was cleared”	“fellow ABC stars call for him to step aside from his red carpet duties at Sunday’s academy Awards”			“the detailed allegations against Seacrest are the latest problem for ABC, though most of its problems have come from its troubled news division”
	“Michael Douglas Opens up About Sexual harassment claims: ‘I was extremely, extremely disappointed’”	“sexual harassment allegations”		journalist					“Ant-Man Star”	“there was nobody that ever [corroborate d] that accusation” ; “Douglas assured [his wife] and their two children that the claims were false”	“my kids are really upset, [and they have] to go to school worrying this is going to be in some article about me, being a sexual harasser”		Never interviewed or attempted to get a comment from the accuser	
ABC (Neutral)														
	“Harvey Weinstein in Court”	Criminal sexual assault charges				Dropped her case “following emails that suggested inconsistencies in her testimony”			Disgraced movie mogul					“If this judge were to dismiss this case against [Harvey Weinstein], it would certainly be monumental, not just for the roughly 80 accusers who’ve come forward but the entire #MeToo movement at large”

<p>“Eliza Dushku Breaks her Silence”</p>	<p>Sexual harassment claims</p>			<p>“received a pretty big payout to settle her harassment claim”; ““Bull” show runner, Glenn Gordon Caron even defending the Weatherly remarks adding what does Eliza expect, she was in ‘Maxim”</p>	<p>“suffered relentless sexual harassment”; “after confronting Weatherly on his actions, she claims she was written off the show”</p>		<p>CBS’ top stars; “Bull” star</p>		<p>“as part of the settlement, CBS will be hiring a harassment monitor to keep an eye on Weatherly”</p>			<p>Objective, did not interview or mention request for comment to either party</p>
<p>“Confirmation Cliffhanger”</p>	<p>sexual assault allegations</p>		<p>; a former Yale classmate</p>			<p>Supreme Court justice nominee</p>	<p>“He is an incredible intellect, an incredible person” (Donald Trump); “[classmates of Brett Kavanaugh] support him and want [Murkowski] to understand that we knew him, and we actually knew what he was like in high school. And we want to make sure she realizes his outstanding character”</p>	<p>“FBI did not interview Brett Kavanaugh, nor did the FBI interview Dr. Blasey Ford”; “John Paul Stevens, came out against Kavanaugh ... it’s what Judge Kavanaugh’s performance at the confirmation hearings revealed that was disqualifying for him”</p>		<p>“On behalf of me and other sexual assault survivors to please listen to us and believe us and believe Dr. Ford and the others and find somebody else. And vote no”</p>		<p>“A full Senate vote could come as early as Saturday. Senator Collins and Senator Murkowski will have to cast a vote not just for the next Supreme Court justice, but for their political futures as well”</p>
<p>“Cristiano Ronaldo Denies Assault Allegations”</p>	<p>Sexual assault accusation</p>			<p>“seen in pictures with the soccer superstar”; “went to the hospital for an exam and reported that alleged assault to police, but that her lawyer at the time encouraged her to sign a nondisclosure agreement and settle the case for \$375,000”</p>	<p>“the alleged outcome left her with ‘severe emotional and bodily injuries”</p>	<p>Soccer superstar</p>	<p>“he’s calling this whole story ‘fake news””; “he’s one of the most famous soccer players in the world, worth \$400 million for his moves on the field and fronting brands like Nike, underwear companies and tech giants”</p>			<p>“Why is she coming forward now? ‘She wants justice. She has been emboldened by the #MeToo movement and she wants justice”</p>		
<p>“CBS Chairman Accused”</p>	<p>Decades of sexual misconduct</p>					<p>Chairman and</p>	<p>“I [Les Moonves] always</p>				<p>Only took statement from CEO,</p>	

	of Misconduct”							CEO of CBS	understood and respected and abided by the principle that no means no. And I have never misused my position to harm or hinder anyone’s career”				no quotes from NYT exposé	
CBS (Neutral)														
	“Les Moonves Won’t Get Severance Pay Following Sexual Misconduct Investigation”	Sexual misconduct investigation						former CBS CEO Les Moonves			“will not receive any severance pay, following a sexual misconduct investigation”		Doesn’t describe any of the allegations	
	“Investigation Turns Up Sexual Assault Claim Against 60 Minutes Creator”	sexual assault ; allegations of sexual misconduct			They found the allegations to be credible ; “The New York Times says investigators have spoken to hundreds of people while conducting this investigation which is still ongoing”		“claimed Hewitt sexually assaulted her on repeated occasions and destroyed her career”	Creator of 60 minutes ; executive producer of 60 minutes			“in total, CBS has agreed to pay five million dollars. And on top of that five million, they have agreed to pay seventy-five thousand dollars to the woman each year for the rest of her life”			Anonymity of woman is assumed to be for her own safety and privacy.
	“Cristiano Ronaldo Benched Amid Rape Accusation”	Rape			“Mayorga reported the incident to police and took a medical exam but refused to name the soccer star”	“There are a lot of people who would look at this and say his net worth is four hundred million dollars. She just wants more money”	“It’s dramatically altered her life... Depression, suicidal ideation, abuse of alcohol”	One of the world’s highest paid athletes	“net worth is 400 million dollars. She just wants more money”		“Portuguese soccer star Cristiano Ronaldo will not play in upcoming international matches altering being accused of rape”			Objective
	“FBI Hasn’t Contacted Christine Blasey Ford about Brett Kavanaugh Claims”	Sexual assault allegations	Doctor Ford							“It’s inconceivable to me you would complete this phase of the background and not talk to them at all because, after all, the FBI has never interviewed				Musing if the FBI were taking every step they could to actually find evidence to refute or corroborate Dr. Ford’s claims

										Doctor Ford				
	“Harvey Weinstein Charged in New York City With Rape and Other Sex Crimes”	Rape and other sex crimes; alleged incident							“the man who was once the most powerful producer in Hollywood”			“He will be remembered as a predator”		Objective
	“Embattled Missouri Governor Eric Greitans Resigns”	“an affair with his hairdresser”	Hairdresser		“the charges were later dropped on a technicality”			(former) Missouri Governor; “a one-time rising Republican star”				“facing possible impeachment and multiple criminal investigations”; “this ordeal has been designed to cause an incredible amount of strain on my family. Millions of dollars in mounting legal bills, endless personal attacks designed to cause maximum damage to family and friends”		
The New York Times (Neutral)														
	“Weinstein’s Request for Case Dismissal is Rejected by Judge”	sexual assault charges ; alleged attacks	A marketing executive ; a production assistant	“there was ‘sufficient evidence’ to support the remaining counts” ; “outwardly friendly contact with an attacker after an assault does not mean that a crime did not occur”	“the women had remained on friendly terms with Mr. Weinstein after the alleged attacks” ; “Justice Burke dismissed the charge related to Ms. Evans.. a witness who said Ms. Evans had given her a conflicting account of the episode”			Producer						Objective, interviewed lawyers for both parties

	<p>“A Harvard Star, Accused”</p>	<p>“fostered a work environment hostile to women, one filled with sexual talk and bullying”</p>		<p>“former assistant”</p>	<p>“Dr. Fryer told the Harvard investigator that ‘that riff’ was simply a joke and that the employee it involved was ‘laughing hysterically’”</p>	<p>“[Fryer’s] ‘persistent and pervasive’ conduct contributed to stress that resulted in the accuser’s taking disability leave”; “directed another employee to compile examples of poor performance by the accuser. He refused to write recommendations for economics graduate programs she was applying to, according to her complaint, and all rejected her”</p>		<p>“Before he turned 40 [Fryer] has earned tenure at Harvard, received a MacArthur ‘genius’ grant and won the most prestigious award for young American economists”</p>	<p>“the investigator concluded that Dr. Fryer’s ‘unwelcome conduct of a sexual nature was sufficiently severe’ that it interfered with the three women’s ability to work”</p>	<p>“possible outcomes include a reprimand, suspension or dismissal”</p>			<p>“Academic economics has struggled to advance women to doctorates and professorships. The approval of a small group of prominent researchers, mostly men, can make or break careers”</p>
	<p>“CBS Made Secret Deal with Actress over Abuse”</p>			<p>Actress, former Buffy series regular</p>	<p>“the outtakes were a ‘gold mine’ for Ms. Dushku, the lawyers wrote, because they ‘actually captured some of the harassment on film’”</p>	<p>“shortly after Ms. Dushku confronted the star about his behavior, she was written off the show”</p>	<p>Bull’s Star</p>		<p>“lawyers said the company’s handling of Ms. Dushku’s complaints was not only misguided, but emblematic of larger problems at CBS. When faced with instances of wrongdoing, the company had a tendency to protect itself, at the expense of victims, the investigators wrote”</p>				

<p>“60 Minutes Permitted Bad Conduct”</p>	<p>“engaged in certain acts of sexual misconduct”</p>		<p>Female employee</p>		<p>“and destroyed her career”</p>	<p>Executive producer; creator of 60 minutes</p>	<p>/ “miseducated during Mr. Fager’s run as executive producer, which began in 2004, were less severe than under his powerful predecessor, Don Hewitt”; “in more recent years, the broadcaster has promoted more women to producer and to other senior roles, and MR. Fager demonstrated sensitivity and support for working women”</p>	<p>“fired in September after he threatened a CBS News Reporter looking into allegations about his behavior”; “in total CBS has agreed to pay the former employee more than \$5 million”</p>			<p>“But that independence came at a cost. The show proved unable to prevent inappropriate conduct by some of its top executives”; does not mention any names of victims</p>
<p>“Astrophysicist Responds to #MeToo Accusations”</p>	<p>“behaved inappropriately”; rape</p>		<p>Dr. Tyson’s assistant; an associate professor of physics and astronomy at Bucknell University in Pennsylvania;</p>	<p>“she filed a report with the Austin police in 2014, but according to the police report, her complaint was not investigated because Texas has a 10-year statute of limitation on sexual assault charges”</p>	<p>“[Tyson] said that at work, Ms. Watson freely offered hugs...”; “[Dr. Tyson] questioned the timing of the accusation — many years later, ‘as my visibility-level took another jump’ — and he brought up her statements that she could not recall much of the night... ‘it is though a false memory has been implanted, which, because it never actually happened, had to be remembered as an evening she doesn’t remember’”</p>	<p>Astrophysicist</p>	<p>“Dr. Tyson is something of a rarity in the sciences: a star, familiar to those with no connection to his field... he has been lauded for his skill in explaining scientific concepts in digestible terms”</p>	<p>“accusations can damage a reputation and a marriage... sometimes irreversibly”</p>			<p>“The core of our shows is that it matters what’s true. No matter what, that means we will absolutely follow the evidence where it leads”; objective, no party gave comments outside their original statements (except for Ms. Amet)</p>
<p>“Paula Jones Re-Emerges In New Light”</p>	<p>“publicly accused the president of the United States of sexual harassment and assault”</p>		<p>Was a state employee; white house intern</p>		<p>“dismissed as ‘bimbos’ deployed in the service of what Hillary Clinton</p>	<p>former President of the United States</p>	<p>“they have been used as right-wing pawns and left-wing punching bags”; “[Jones’] story was</p>	<p>“it has been rather convenient for him. Over two decades, it was easy to forget that the reporting</p>	<p>“Paula Jones spoke out against the most powerful man in the world, and when his</p>		

					called the 'vast right-wing conspiracy'; "if you drag a \$100 bill through a trailer park, you never know what you'll find"; "in 2016, Vox published an 'explainer' dismissing her charges as 'probably bunk,' relaying in part, that her description of Bill Clinton's penis did not align with those of some anonymous sources"	politicized from the start: It was seized by a Republican operative... in turn Clinton's advisers trashed her on television"			on Clinton's consensual affair with an intern arose out of an even more damning context: Jones's harassment suit"		lawyers argued that a sitting president couldn't be subject to a civil suit, she took them all the way to the Supreme Court and won. In another world, she would be hailed as a feminist icon. But not in this world — not yet"	
	"Brooklyn Man Charged with Raping Two"	"raping two"; rape and sexual abuse		"the women sought medical attention soon after the alleged attacks and forensic evidence was collected"			Self-described spiritual leader ; "proven international famed Kaballah master' who uses 'mystical magic' to help people achieve their desires"	"Mr. Kennedy has no prior arrests"				Mentioned that Kennedy declined to comment, most likely women are kept anonymous for their privacy and safety but no mention of if they were reached for comment or not.
	"A Test of Mr. Kavanaugh and America"	Sexual assault		"it is quite a tribute to Christine Blasey Ford that she has presented the one image of dignity and calm in this howling maelstrom... her testimony was credible"			Supreme Court nominee, judge		"he gave misleading answers under oath... deliberately misleading senators about them during a confirmation process has to be [bars to high office]. If Judge Kavanaugh will lie about small things, won't he lie about big ones as well? ... such a lack of self-control, or such open			"This confirmation battle has been awful for everyone. It has exposed to the country a depth of partisan grievance and connivance within the Senate that should embarrass and worry every American" — discusses the assault allegation for two paragraphs,

										and radical partisanship, ought to be unacceptable in a judge”				mostly discusses partisan issues and government infighting.
Wall Street Journal (Neutral, Skews Right)														
<p>“Dozens of People Recount Pattern of Sexual Misconduct by Las Vegas Mogul Steve Wynn; Wynn resorts employees and Others Described a CEO who Sexualized his Workplace and Pressured Workers to Perform Sex Acts. Mr. Wynn Responded: ‘The Idea that I Ever Assaulted any Woman is Preposterous’”</p>	<p>“pattern of sexual misconduct”; “forced her to have sex”</p>	<p>Personal assistant to Elaine Wynn while was married to Mr. Wynn ; a manicurist</p>	<p>“she filed a detailed report to the casino’s human-resources department recounting the episode ... Mr Wynn later paid the manicurist a \$7.5 million settlement”; “the former employee’s supervisor and another colleague confirmed being told of these advances in detail at the time... they sought to manage the situation rather than report it because they believed there would be repercussions if they did”</p>	<p>“Former employees said that their awareness of Mr. Wynn’s power in Las Vegas, combined with the knowledge that the jobs they held were among the best-paying available there, added up to a feeling of dependence and intimidation when Mr. Wynn made requests of them”</p>	<p>Billionaire casino mogul</p>	<p>“[Wynn] continued, in a written statement, ‘we find ourselves in a world where people can make allegations, regardless of the truth, and a person is left with the choice of weathering insulting publicity or engaging in multi-year lawsuits. It is deplorable for anyone to find themselves in this situation’ ; “since the inception of the company, not one complaint was made to that hotline regarding Mr. Wynn”</p>								

<p>“Criminal Case Against Weinstein Can Continue, Judge Rules; New York Judge Declines to Toss Criminal Charges Against Filmmaker”</p>	<p>Sex crimes, including rape</p>	<p>Then-aspiring actress;</p>		<p>“prosecutors disclosed a conflicting witness account”</p>		<p>Disgraced filmmaker</p>						<p>Mostly about the case continuing, does not discuss any particulars about the charges</p>
<p>“J Leaks in Moonves Probe; Board Members Air Frustrations with Law Firms Handling Probe into Former CEO’s Alleged Sexual Misconduct”</p>	<p>allegations that he sexually harassed and assaulted multiple women</p>					<p>Successful CBS boss for more than a decade</p>			<p>“the board would have grounds to deny the executive \$120 million in severance pay”</p>			<p>Does not discuss particulars of the allegations, mostly about CBS. “Besides Mr. Moonves, the investigation is also looking at the broader culture of CBS and, in particular, at CBS News”</p>
<p>“Dartmouth Lawsuit Says School Allowed ‘Animal House’ Culture Among Professors, Students; Seven Women Allege Psychology Department was Rife with Leering, Groping, and Sexual Assault”</p>	<p>“professors leered at, groped, sexted, intoxicated, and raped female students”</p>	<p>Dartmouth student</p>		<p>“Professors have a unilateral sense of control, they are the only guys you work for, the only people writing letters of recommendation”</p>		<p>Former Dartmouth professors</p>	<p>“categorically denies playing any role in creating a toxic environment at Dartmouth college”</p>		<p>“the professors involved resigned from the Hanover, NH school last summer at Dartmouth’s request... it took ‘unprecedented steps toward revoking their tenure and terminating their employment’”</p>			<p>Objective</p>

<p>“Hillary Clinton is Right— Her Husband’s Affair Was no ‘abuse’; Monica Lewinsky was a Consenting Adult, and the Harassment-Industrial Complex is Out of Control”</p>	<p>“Bill’s affair with Monica Lewinsky”</p>	<p>Intern</p>			<p>Was an adult, “she was also old enough to know what she wanted and to be held accountable for it”; “to believe a woman is being abused the moment her supervisor demonstrates a romantic interest is to regard employees as akin to slaves”</p>	<p>Hillary Clinton’s husband</p>			<p>“In the years since his affair with Ms. Lewinsky became public knowledge we’ve created a monster. The harassment-industrial complex lawyers, human-resources professionals, activists—has installed itself as our collective chaperone, the high priest of courtship, vested with power to decide which advances are kosher”</p>		<p>“Whenever talk is of power imbalances between the sexes, I often think my grandmothers, who came of age in the 1940s, a far more sexist time... Yet by all accounts, neither had any trouble refusing a man. This wasn’t because they were wealthy or occupied powerful positions but because... they possessed a quaint resource called ‘dignity’”; “this is the rocky road to Loe that has never made for tranquil passage but left us all the wiser just the same”</p>	
<p>GOP Sets Committee Vote on Kavanaugh for Friday; White House Prepares to Hold More Sessions for Kavanaugh Ahead of the Judiciary Committee Hearing Thursday</p>	<p>Sexually assaulting her</p>	<p>California College professor; a Yale University classmate of the nominee</p>				<p>Supreme Court nominee;</p>	<p>Kavanaugh - “I did not have sexual intercourse or anything close to sexual intercourse in high school or for many years thereafter”</p>	<p>“Perhaps Brett Kavanaugh was a virgin for many years after high school. But he claimed otherwise in a conversation with me during our freshman year in Lawrence Hall at Yale, in the living room of my suite”</p>				<p>Objective</p>
<p>“Missouri Governor to Resign Amid Probe over Sexual Misconduct, Campaign Irregularities; Eric Greitens Denies Breaking Any Laws,</p>	<p>Sexual misconduct; tawdry sexual encounters</p>	<p>Hairdresser</p>			<p>“No photo was ever found and the case was later dropped... a special prosecutor was appointed to look into the matter but hasn’t yet determined whether</p>	<p>Resigned Missouri governor, former Navy SEAL</p>	<p>“A graduate of Duke University and a Rhodes Scholar, Mr. Greitens wrote two best-selling books on lessons learned from his experiences. In 2013 Time</p>		<p>“this ordeal has been designed to cause an incredible amount of strain on my family”</p>			

	Cites Strain on Family from Investigations in Stepping Down”					to refile the charges”				Magazine named him one of the world’s 100 most influential people”				
USA Today: (Neutral)														
	“Judge Rules Harvey Weinstein Sexual Assault Can Move Forward to Trial”	“raping or sexually assaulting two women years ago”; “rape, sexual harassment, sexual assault, battery, sex trafficking, infliction of emotional distress and defamation, fraudulent business acts and racketeering”				“irreparably tainting the grand jury proceeding by failing to disclose exculpatory information to the defense and hiding evidence that contradicted what the three accusers said Weinstein did to them”		Disgraced movie mogul		“If the #MeToo movement helps level the playing field for women throughout the world, then we strongly (support) that movement. A movement, however, should not be permitted to push an indictment that is deeply flawed as we believe this movement has done in this case”	“he pleaded not guilty, was released on \$1 million bail and restricted to his homes in New York and Connecticut”; “Weinstein lost his power and millions, his career and company, his wife and family, and most of all his reputation as an edgy entertainment genius - and all in a matter of weeks”			Does not name accusers/victims besides the famous one, however description of events is objective
	“Amber Heard Speaks out Again about Domestic Abuse, Despite Consequences She Says She Paid”	Domestic Abuse ; “beating her up”			“Heard eventually donated her share of the divorce settlement, about \$7 million, to a charity focused on fighting domestic abuse of women. ...she is now an ambassador on women’s rights for American Civil Liberties Union	“Heard claimed the Los Angeles police went to their downtown loft the night of the alleged altercation and documented the abuse. But the cops instead told reporters they found no evidence of a crime when they arrived”		“was told she’d never work in Hollywood again. Her role in a movie was recast. The company that hired her for a two-year gig as the face of a global fashion brand dropped her... she had to change her phone number weekly because of death threats”				“In every walk of life, women are confronting these men that are buoyed by social, economic and cultural power. And these institutions are beginning to change”		

<p>“Geoffrey Rush Denies Sexual-Harassment Claims by ‘Orange is the New Black’ Star Yael Stone”</p>	<p>Sexual harassment, “behaved inappropriately toward her”</p>	<p>“Orange is the New Black” Star ; actress</p>			<p>“I believe it was made in the spirit of a joke’ she acknowledged”</p>	<p>“[Stone] says she wanted to protect her nascent career and get that speaking up was not even an option... ‘Don’t offend Geoffrey because it will affect the next performance and ultimately it will affect your career”</p>	<p>Actor</p>		<p>“These are the first allegations of sexual harassment Rush has faced”</p>	<p>“Rush has consistently denied the allegations, saying when he stepped down from the screen academy ‘in the current climate of innuendo and unjustifiable reporting, I believe the decision to make a clean break to clear the air is the best for all concerned”</p>	<p>“Whenever women, particularly, speak about issues like this, their career generally suffers... I’ve factored that into my calculations and if that happens I think it’s worth it”</p>		<p>Did reach out to both parties for comment</p>
<p>“CBS: Ex-CEO Les Moonves will be Denied \$120 Million Exit Package”</p>	<p>Nonconsensual sexual relations ; “sexual misconduct and intimidation”</p>				<p>“the press was informed of these baseless conclusions before Mr. Moonves, further damaging his name, reputation, career, and legacy”</p>	<p>“Les Moonves canceled my show after I refused his advances”</p>	<p>Shamed ex-CEO of CBS ; once the most powerful media executive in American television, was pushed out of his position</p>		<p>“grounds to terminate for cause, including his willful and material misfeasance, violation of Company policies and breach of his employment contract”</p>	<p>“will not get his \$120 million severance package, CBS announced late Monday, citing his failure to ‘cooperate fully’ with an internal investigation of allegations of sexual misconduct against him”</p>			<p>“the board of directors, which includes six new members, and the new management have already begun to take ‘robust steps’ to improve the working environment” ; “hopefully such a large penalty will start to change the culture of CBS — and firms across the world”</p>

<p>“Former Baylor Fraternity President Accused of Rape rape is Banned from Graduation, University of Texas Campus”</p>	<p>Rape</p>					<p>“Anderson was president of Baylor University’s Phi Delta Theta fraternity at the time”</p>		<p>“accepted a deal to plead no contest to a charge of unlawful restraint this week”</p>	<p>“He was expelled from Baylor and went on to attend University of Texas at Dallas” ... “Anderson is banned from [UT] campus as a student or guest in a statement posted to Twitter. He will also not be allowed to participate in commencement activities or be granted admission to UT Dallas graduate school. He will still receive a degree”; “He will not be required to go to jail or register as a sex offender... Anderson will receive three years probation, be levied a \$400 fine and have to attend counseling”</p>		<p>Mostly discusses perpetrator, does not name victim but most likely it is purposeful anonymity to protect her safety and privacy.</p>	
<p>“Confirm Brett Kavanaugh to the Supreme Court”</p>	<p>“accusations”</p>				<p>“The supplemental report is said to show nothing that corroborates any claim of sexual assault or misconduct”; “They didn’t have the votes to stop him, so they sought to destroy him with smears”</p>	<p>Supreme Court nominee</p>	<p>“The FBI report on [Kavanaugh] confirms what most in Washington knew all along: there is no supporting evidence for the claims made against him”</p>		<p>“Leftist law breaking, rule breaking, violence and disruption have marred the public Kavanaugh confirmation process... I had to walk through a phalanx of illegally protesting leftists to get to the hearing last week”</p>		<p>“It’s time to move on and let a good man with an impeccable record of honoring the U.S. Constitution have a confirmation vote”</p>	

<p>“Attorney : Cristiano Ronaldo Would Face Prison Time if Found Guilty of Sexual Assault”</p>	<p>Sexual assault; alleged rape</p>		<p>“worked as a model and school teacher”</p>	<p>“the prompt reporting eliminates and statute of limitations in Nevada” ... “Stovall also said Mayorga suffers from a learning disability, but said he was unsure whether a recent psychiatric exam found the disability played a role in the alleged rape”</p>	<p>“Mayorga also agreed to a \$375,000 settlement and non-disclosure with Ronaldo and Stovall said they will agree that she, in the wake of the alleged attack, lacked the capacity to sign an agreement that can be legally enforced”</p>	<p>“considered suicide and abused alcohol after the alleged rape from which suffers PTSD” ; “Mayorga alleges she was sodomized by Ronaldo and that resulted in ‘severe emotional and bodily injuries including but not limited to anal contusions, post-traumatic stress disorder, and major depression”</p>		<p>“I firmly deny the accusations being issued against me... Rape is an abominable crime that goes against everything that I am and believe in”</p>	<p>“On the heels of the allegations, the Associated Press reported Thursday that Ronaldo has been left off the roster for Portugal’s national team ahead of two upcoming games”</p>		<p>Objective</p>
<p>“Kesha Focuses on Upcoming Tour and ‘My Happiness’ but Dr. Luke Lawsuit Continues”</p>	<p>“Sexual harassment and emotional distress”</p>		<p>Singer</p>		<p>“Kesha Sebert testified in 2011 in a videotaped deposition that Dr. Luke has never drugged her, or made any sexual advances towards her, in 2014 she filed a baseless lawsuit against Dr. Luke... Tellingly, Kesha Sebert is no longer pursuing any of the fabricated claims for rape that she filed”</p>		<p>Producer</p>	<p>“Dr. Luke supports any woman or man seeking to heal from or bring light their experiences with sexual abuse. However, this is not such a situation.”</p>	<p>“he and his family have been greatly harmed and because of that he is looking forward to being vindicated on his claim of defamation”</p>		<p>Objective</p>
<p>“I Started Pounding on the Windows’ - Uber Passenger says Denver Driver Wouldn’t Let her Go”</p>	<p>“terrifying drive”; “rape”</p>		<p>Denver Law professor Nancy Leong</p>		<p>“Uber’s ... senior executives were concerned that the assault might be part of a rival service’s plan to discredit Uber”</p>	<p>“I am uncomfortable with this person having my home address, which is where he picked me up”</p>			<p>“driver in question was being blocked from the [Uber] network while it investigated the incident”</p>		<p>“continually contended with incidents in which women were harassed - or worse - by drivers on its network... poor driver vetting that had led to thousands of female passengers enduring a range of sexual harassment, including rape”</p>

<p>“Two Steavan Seagal Accusers Detail Allegations of Rape, Sexual Assault by Actor”</p>	<p>Alleged misconduct ; allegedly raped ;</p>		<p>Actress; former model</p>			<p>“I [Dadis] left feeling horrified and totally violated”</p>	<p>Actor</p>						<p>“Representatives for Seagal have not responded to USA TODAY’s requests for comment”</p>
<p>“David Copperfield Accused of Drugging, Assaulting Model when She Was 17”</p>	<p>“drugged and sexually assaulted”</p>		<p>aspiring model</p>	<p>“Lewis’ story was corroborated by The Wrap with her grandmother, best friend from high school, husband, and ex-husband. ... she reported her claims to the FBI in 2007 and is not seeking a financial settlement”</p>			<p>Famed illusionist</p>	<p>“he supports the #MeToo movement but cautioned against rushing to judgement about false allegations”</p>		<p>“imagine what it’s like, believing in the movement, and having also been falsely accused publicly in the past. TO have your life and your family’s life turned upside down’ he wrote, detailing the last time he was falsely accused, which ended up with the woman being arrested and charged in a separate incident”</p>			<p>Objective, however the choice of phrase “the last time he was falsely accused” implies this is another false allegation</p>
<p>The Washington Post (Neutral, Skews Left)</p>													
<p>“Weinstein Fails in Bid to Get Charges Dismissed”</p>	<p>“first- and third-degree rape” ; “predatory sexual assault and one criminal sexual act in the first degree”</p>						<p>disgraced movie mogul; “brash longtime producer and distributor of numerous Oscar-winning films”</p>					<p>“The allegations kick-started accusations against many powerful men in the entertainment business and other industries and helped create the #MeToo and Time’s Up movements”</p>	
<p>“Man Charged in Assault Near Metro in Pr. George’s”</p>	<p>Sexual assault</p>												<p>Objective. “Reilly said he has been in contact with Metro Transit Police to coordinate increased public safety resources in the area. ... ‘we want people to feel safe</p>

														walking to and from the Metro station"
	"Neil DeGrasse Tyson Under Investigation After Allegations"	Sexual harassment and assault		Bucknell University astronomer; former assistant Tyson; musician			"quit her [Watson's] job after Tyson made inappropriate sexual advances"				"He acknowledged that he had a short relationship with Amet in the 1980s but rejected her allegation of assault. He would fully cooperate with the investigation into the allegations"		"Cosmos' producers told The Washington Post that they are 'committed to a thorough investigation of this matter and to act accordingly as soon as it is concluded' ... Fox entertainment and National Geographic ... are reviewing the reports"	Objective, "Amet did not immediately reply to an emailed request for comment from The Post"
	"Ronaldo is Accused of 2009 Sexual Assault"	Alleged 2009 sexual assault					Mayorga was "suffering from post-traumatic stress disorder and clinical depression as a 'direct and exclusive consequence of Mr. Ronaldo's sexual assault perpetration"		Portuguese Soccer Star, "Generational soccer talent"		"What they said today, fake, fake news' he said 'you want to promote by my name. It's normal"			Objective
	"Questions Linger About Nominee's Judicial Temperament"	"teenage sexual assault"											"the judge's angry and confrontational testimony before the Senate Judiciary Committee last week undermines his fitness for the court"	About Kavanaugh's temperament, barely mentions allegations and does not mention Dr. Ford's name at all nor any other accuser
	"The Trump Accuser that Refuses to Go Away"	"groped and sexually assaulted her"; "sexual misconduct"		"a former contestant on Trump's reality TV show 'the Apprentice"	"complaint details phone calls and meetings that could be used to verify - or refute - her allegations, and her attorneys could call other accusers to the stand to describe Trump's behavior"	"a cousin of hers who worked at Sunny's speculates that 'Summer's actions are nothing more than an attempt to regain the spotlight at MR. Trump's expense'"	"Her suit is not about fame, nor was her accusation politically motivated, her attorneys have said. She is asking for \$2,914 in economic losses as well as unspecified emotional damages"		President, former reality TV show host		"To be clear, I never met her at a hotel or greeted her inappropriately a decade ago"			Objective, tried to reach all parties for comment

The New Yorker (Left)													
"The Next Confirmation"	Sexual assault				"Ford has said that the attack derailed her, socially and academically for years"		Trump				"Twenty-seven years after Republicans on the senate Judiciary Committee lacerated Anita Hill, and then voted to confirm Clarence Thomas who she said had sexually harassed her when he was her boss, the committee clearly has not yet figured out how it should deal with issues that fall under the broad umbrella of #MeToo"		Mostly about possible outcomes if Kavanaugh is confirmed vs. not confirmed for upcoming elections
"The Rape of Recy Taylor"	"rape"				"Taylor and her family took great risks to reach out to the N.A.A.C.P. and the organization's investigator, Rosa Parks, turned the unrepresed attack into a national issue"				Faced no charges				A movie review. "The movie is essential viewing, not least for its emphasis on the crucial role o women in the civil-rights movement; it includes a letter by Parks, about her struggle, as a teenager, to fend off a white man's sexual aggression, that stands as an exemplary political and literary work of the era"
Boston Globe (Left)													
"Accused of Sexual Misconduct, Charles Dutoit dumped by royal Philharmonic Orchestra"	Inappropriate conduct		"now runs the Birmingham Hippodrome in England"	"Allan is one of several women who've accused the Swiss-born conductor of sexual improprieties. Her account is similar			Guest conductor with the Boston Symphony Orchestra			"stepping down early from his role as artistic director and principal conductor of the Royal Philharmonic Orchestra in London after several women accused him of sexual assault,			

					to those of four women”						including one at Tanglewood”			
	“James Franco Calls Twitter Allegations of Sexual Misconduct ‘Not Accurate’”	Sexual misconduct allegations		Actress; Actress and director; Actress					“Franco said he wore a ‘Time’s Up’ pin at the award show Sunday night to support people who have been underrepresented in the arts. Franco won Best Performance by an Actor in a Motion Picture - Music or Comedy for his role in ‘The Disaster Artist’”	“Franco offered her [Paley] and a few other women an ‘overdue, annoyed, convenient phone ‘apology’”; “Franco said he hadn’t read any of the tweets, but he heard about them... but said the allegations that have been posted on Twitter are ‘not accurate’”	“New York Times canceled an event, planned for Wednesday, in which Franco was expected to discuss ‘The Disaster Artist’... ‘Given the controversy surrounding recent allegations, we’re no longer comfortable proceeding in that vein’”			Objective, but did not seem to reach to any parties for comment.
	“Prior to Sexual Harassment Allegations, Everett Superintendent Faced Ethics Inquiries, Criminal Case”	“sexual assault and retaliation”		Former clerk in Forester’s office				30 years as leader of Everett Public Schools			“weathered two investigations by the State Ethics Commission and a criminal case over allegations that he used two school air conditioners in his home”			
	“Dartmouth Students Shocked, Angered over Abuse Allegations in Lawsuit”	“abused women”		Current and former students				The three professors in Dartmouth College’s psychology and brain sciences department			... “left the school earlier this year. Heatherton retired, and Whalen and Kelley resigned”	“It makes way for other students who might have experienced anything similar [to] feel like they can say something... “hopefully things will be improved because of this’ Fried said”		

	<p>“Steve Wynn Sues Wynn Resorts, Mass. Gaming Commission”</p>									<p>“Gaming commission investigators ‘have conducted their months-long investigation into Wynn Resorts with total disregard for protecting the privileged communications of Mr. Wynn”</p>			<p>Does not discuss any allegations</p>
	<p>“The Kavanaugh Conundrum”</p>				<p>“We do not know for certain whether what Christine Blasey Ford describes took place, nor whether Judge Brett Kavanaugh has committed sexual assault, so the principles enunciated by Scaramella cannot be applied here. I find it interesting that some people feel confident that they know what happened 30 or so years ago. I know that most people's memories are unreliable about their own experiences in much shorter time periods” (Thomas Joseph Dolan)”</p>		<p>Supreme Court nominee</p>	<p>“I am sympathetic to Judge Brett Kavanaugh’s complaint, despite its hysterical tone, that his life has been wrecked by the chaos of the past few weeks - Chris Miller”</p>	<p>“His testimony demonstrated a disturbing lack of judicial demeanor and temperament required for the highest court”</p>				<p>An article with quotes from multiple authors, explaining their reasoning for supporting or against Kavanaugh’s confirmation</p>

<p>“Celtics Player Jabari Bird is Arrested After Alleged ‘Domestic Incident’”</p>	<p>“domestic incident”</p>					<p>“taken to a separate local hospital ‘for treatment with injuries sustained’”</p>	<p>Celtics shooting guard</p>	<p>“Bird had a strong summer league showing in Las Vegas in July, averaging 16.8 points on 57 percent shooting, and he ultimately secured the team’s final roster spot by signing a two-year \$3 million minimum contract, with the first year fully guaranteed at \$1.55 million”</p>		<p>“his contract may be terminated in accordance with the express provisions’ of the joint NBA/NBPA Policy on Domestic Violence, Sexual Assault, and Child Abuse”</p>			
<p>“Massachusetts Woman Sues Mario Batali, Accuses him of Sexually Assaulting her in Boston”</p>	<p>“sexual assault”</p>				<p>“Tene is seeking unknown damages ‘for the severe emotional distress she suffered’ including anxiety, self-doubt, and ‘a specific fear of being assaulted and/or touched in an inappropriate manner in public’”</p>	<p>Celebrity chef; “behind the massive Eataly complex in the Prudential Center and also cohosted ABC’S ‘The Chew’ at Towne Stove and Spirits in the Back Bay”</p>	<p>“The allegations in the Eater story revealed a pattern of alleged groping, sexual innuendo, and other inappropriate and aggressive behavior over the course of several decades. In a statement to Eater at the time, Batali said that ‘much of the behavior does, in fact, match up with ways I have acted’”</p>	<p>“Batali, who had owned dozens of restaurants worldwide — including Italy at the Pro and Babbo Pizzeria on Fan Pier — stepped away from his restaurant empire in December 2017 after several women lodged sexual misconduct allegation against him on the website Eater”</p>				<p>Objective, however mounts a lot of evidence the alleged incidents did occur</p>	