

University of New Hampshire

University of New Hampshire Scholars' Repository

Division 12 – Furnishings

Chapter 5 – Technical Construction and
Renovation Standards

3-12-2013

129300 - Attachment F - Bicycle Rack (Steel Bars)

Stephanie L. Weatherbee

University of New Hampshire, Durham, s.weatherbee@unh.edu

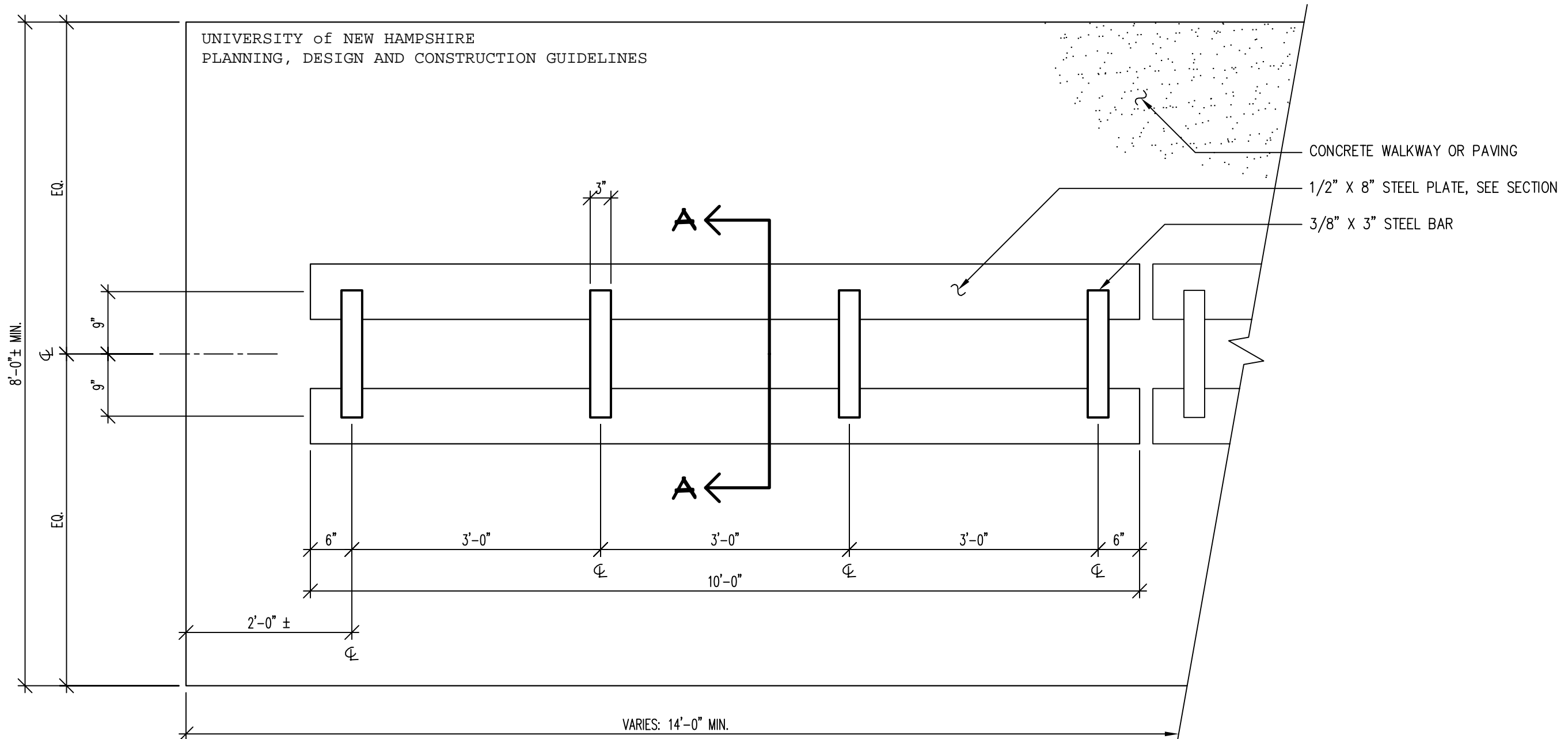
Follow this and additional works at: https://scholars.unh.edu/pdch_5_12

Recommended Citation

Weatherbee, Stephanie L., "129300 - Attachment F - Bicycle Rack (Steel Bars)" (2013). *Division 12 – Furnishings*. 11.

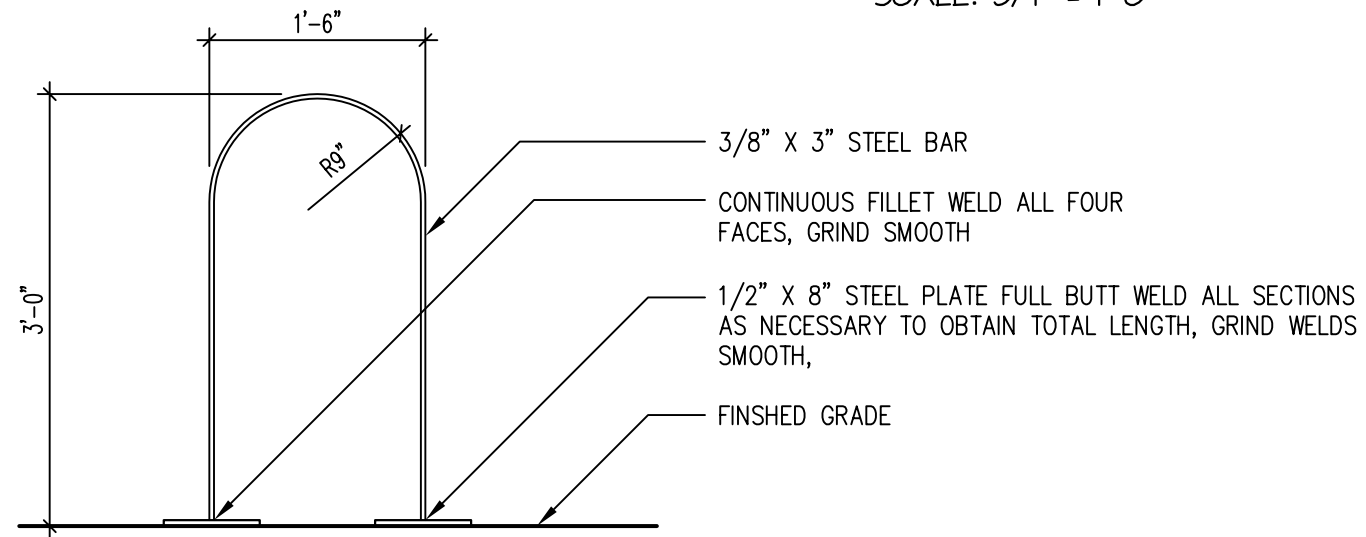
https://scholars.unh.edu/pdch_5_12/11

This Article is brought to you for free and open access by the Chapter 5 – Technical Construction and Renovation Standards at University of New Hampshire Scholars' Repository. It has been accepted for inclusion in Division 12 – Furnishings by an authorized administrator of University of New Hampshire Scholars' Repository. For more information, please contact Scholarly.Communication@unh.edu.



PLAN

SCALE: 3/4" = 1'-0"



SECTION A-A

SCALE: 3/4" = 1'-0"

**NOTE: ALL STEEL AND WELDS
 TO BE SHOP GALVANIZED.**



UNIVERSITY of
 NEW HAMPSHIRE
 DURHAM, NEW HAMPSHIRE

ISSUED FOR:
CONSTRUCTION
 BY
 FACILITIES DESIGN & CONSTRUCTION

APPROVED BY: _____ DATE: _____
 Project Mgr.
 Architect
 Client
 Fire Dept.
 Safety

PROJECT NUMBER:
 PROJECT NAME:
**HOOP BIKE RACK
 STANDARD**

DRAWING TITLE:
PLAN & DETAILS

SCALE: 3/4" = 1'-0"

DRAWN BY: STH

CHECKED BY: SP

DATE:
 FEB. 8, 2007

DRAWING NO.

A-1