

2-12-2013

129300 - Attachment D - Bench Type 4

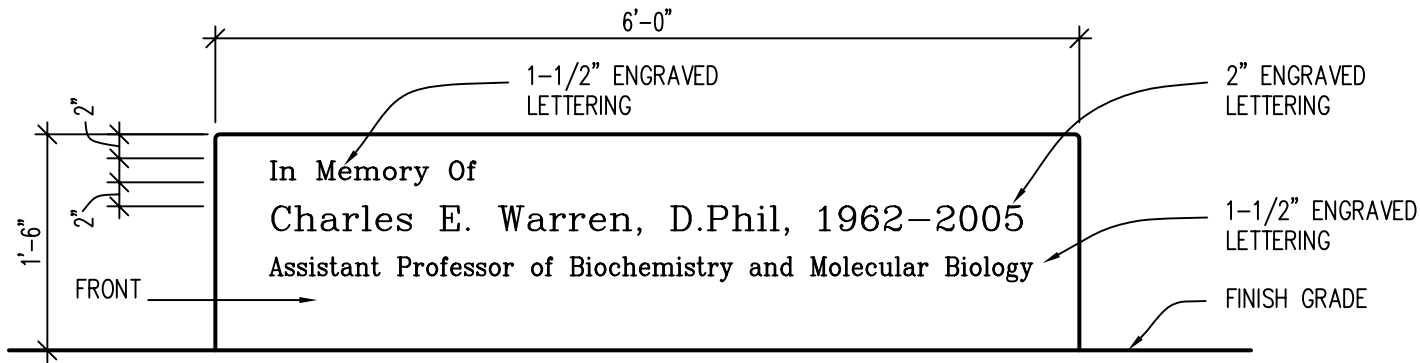
Sandra Hickey
sandra.hickey@unh.edu

Follow this and additional works at: https://scholars.unh.edu/pdch_5_12

Recommended Citation

Hickey, Sandra, "129300 - Attachment D - Bench Type 4" (2013). *Division 12 – Furnishings*. 10.
https://scholars.unh.edu/pdch_5_12/10

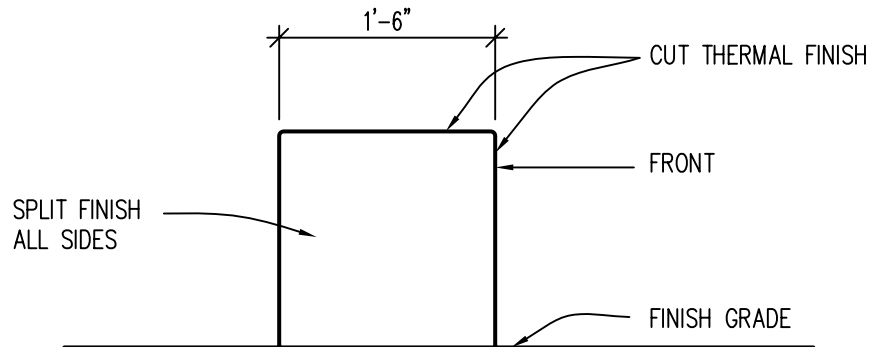
This Article is brought to you for free and open access by the Chapter 5 – Technical Construction and Renovation Standards at University of New Hampshire Scholars' Repository. It has been accepted for inclusion in Division 12 – Furnishings by an authorized administrator of University of New Hampshire Scholars' Repository. For more information, please contact nicole.hentz@unh.edu.



1. GRANITE TO BE CHELMSFORD, SWENSON OR APPROVED EQUAL
2. EASE ALL EXPOSED EDGES 3/8" RADIUS
3. PROVIDE SHOP DRAWINGS
4. INSTALL BENCHES LEVEL
5. SET ALL BENCHES IN A GROUP AT THE SAME ELEVATION.

FRONT ELEVATION

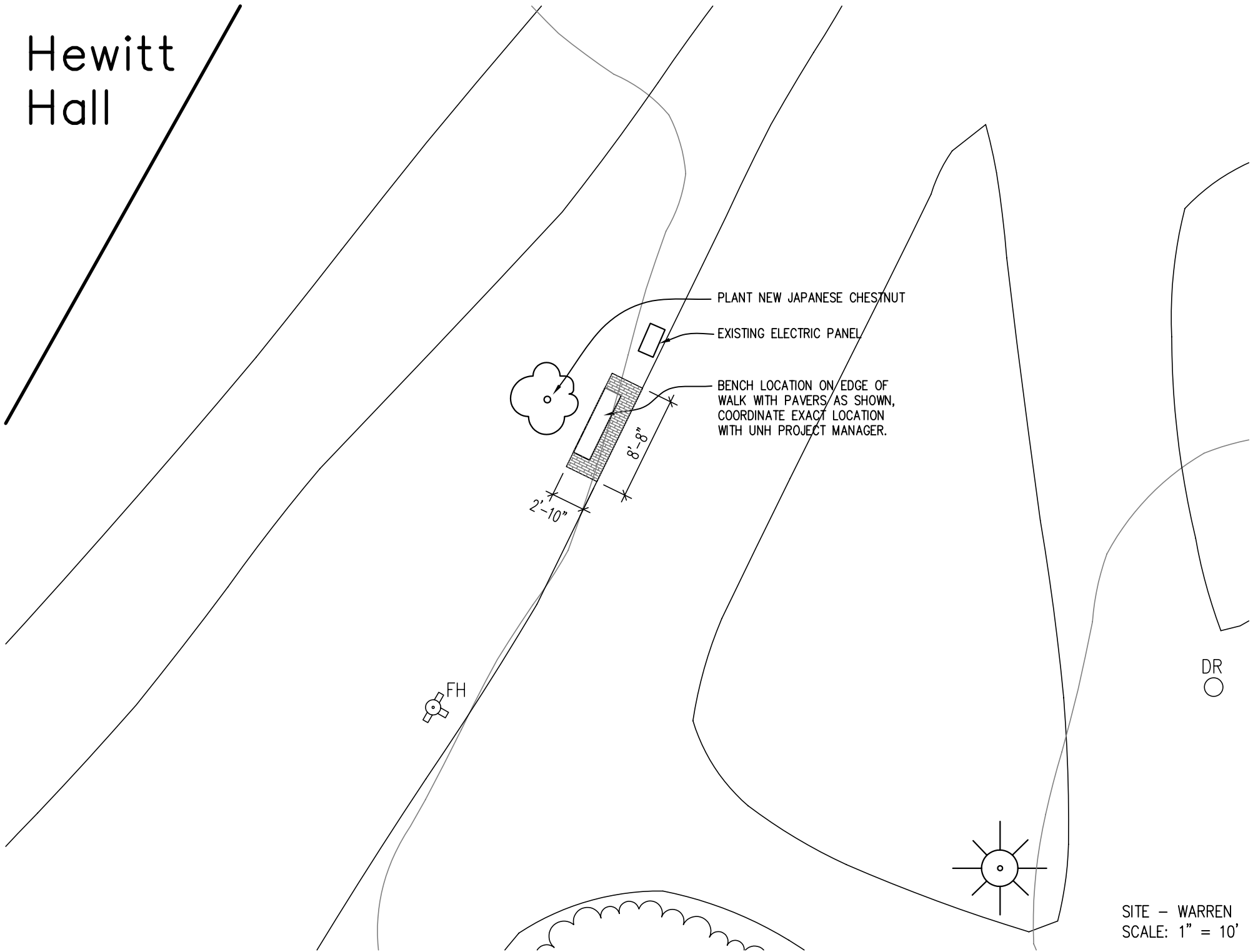
SCALE: 3/4" = 1'-0"



SECTION

SCALE: 3/4" = 1'-0"

Hewitt Hall



SITE - WARREN
SCALE: 1" = 10'