

3-12-2013

129300 - Attachment B - Bench Type 2

Sandra Hickey
sandra.hickey@unh.edu

Follow this and additional works at: https://scholars.unh.edu/pdch_5_12

Recommended Citation

Hickey, Sandra, "129300 - Attachment B - Bench Type 2" (2013). *Division 12 – Furnishings*. 7.
https://scholars.unh.edu/pdch_5_12/7

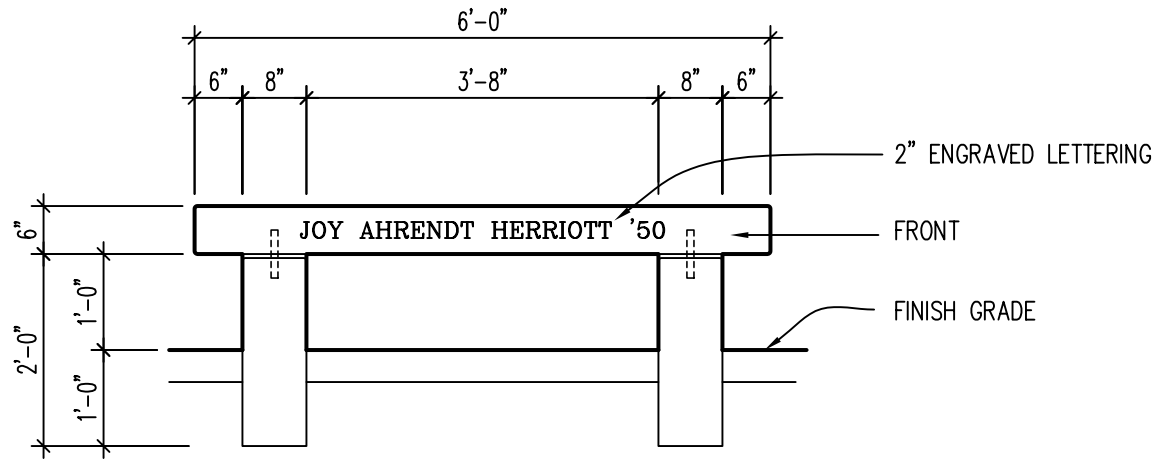
This Article is brought to you for free and open access by the Chapter 5 – Technical Construction and Renovation Standards at University of New Hampshire Scholars' Repository. It has been accepted for inclusion in Division 12 – Furnishings by an authorized administrator of University of New Hampshire Scholars' Repository. For more information, please contact nicole.hentz@unh.edu.

1. GRANITE TO BE CHELMSFORD, SWENSON OR APPROVED EQUAL

2. EASE ALL EXPOSED EDGES
 3/8" RADIUS

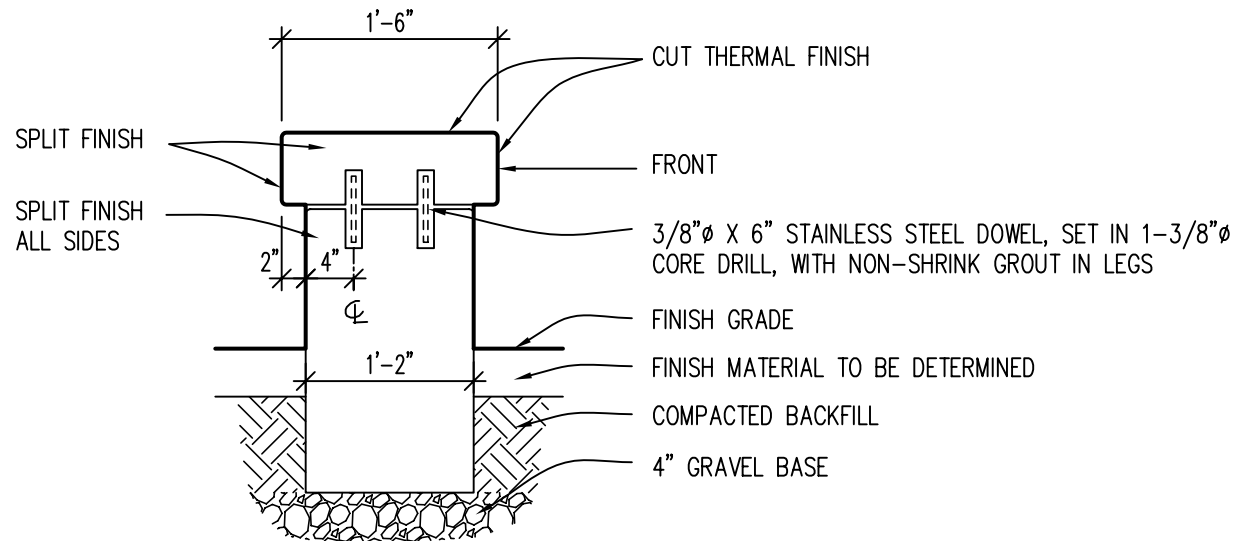
3. PROVIDE SHOP DRAWINGS

4. OWNER TO INSTALL BENCHES LEVEL AND SET ALL BENCHES IN A GROUP AT THE SAME ELEVATION.



FRONT ELEVATION

SCALE: 1/2" = 1'-0"



SECTION

SCALE: 3/4" = 1'-0"

BENCH TYPE 2

12 9300 Attachment B